

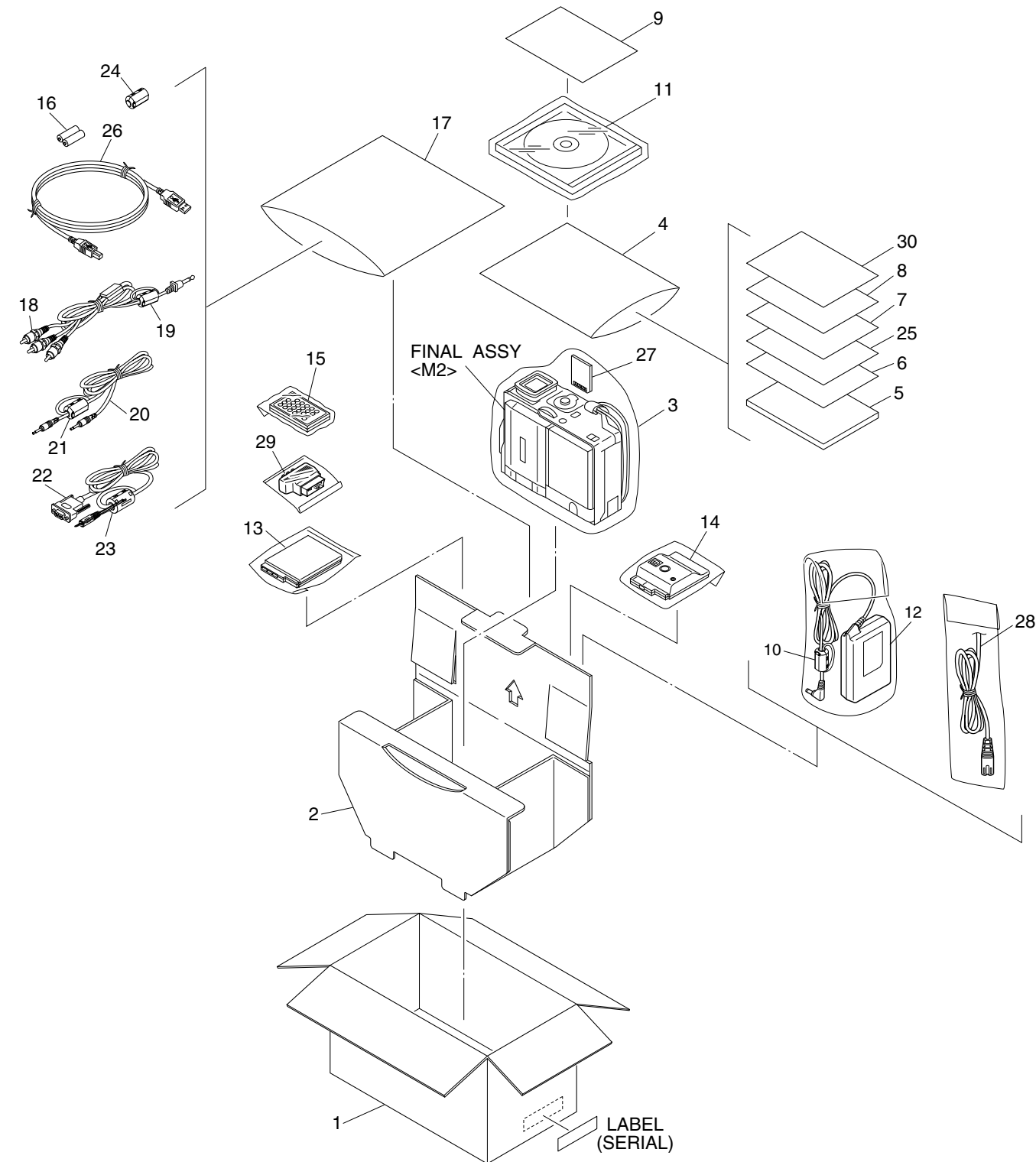
SECTION 5 PARTS LIST

SAFETY PRECAUTION

Parts identified by the \triangle symbol are critical for safety. Replace only with specified part numbers.

5.1 PACKING AND ACCESSORY ASSEMBLY <M1>

The instruction manual to be provided with this product will differ according to the destination.



\triangle REF No. PART No. PART NAME, DESCRIPTION

PACKING AND ACCESSORY ASSEMBLY <M1>

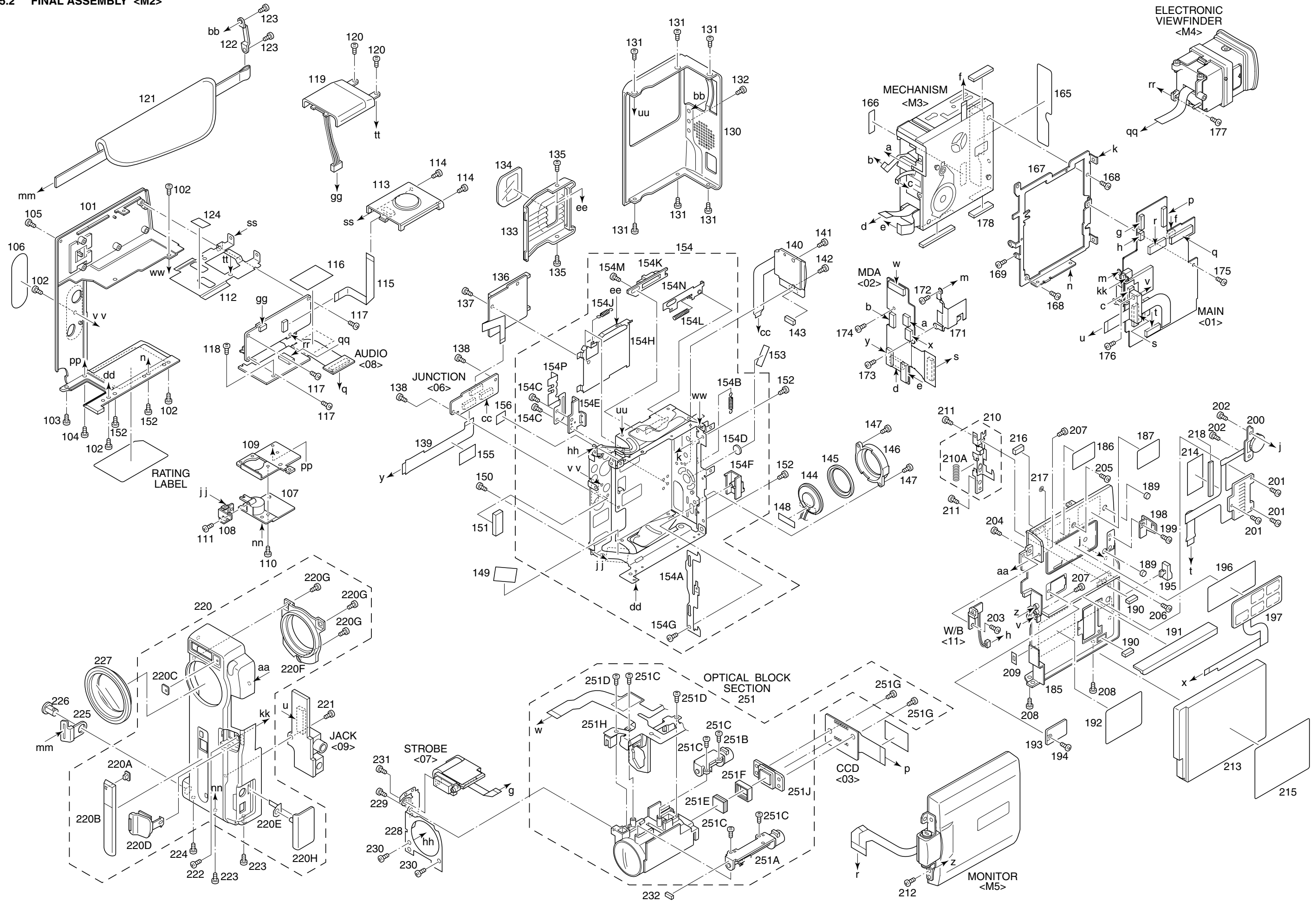
1	LY31717-022A	PACKING CASE,D
	LY31717-023A	PACKING CASE,B
	LY32032-007A	PACKING CASE,C,E
	LY32032-008A	PACKING CASE,A
2	LY20588-001A	CUSHION
3	LY30023-003A	POLY BAG
4	QPA02003006	POLY BAG,A,C,E
	YQM30061-3	POLY BAG,B,D
\triangle 5	LYT0757-001A	INST.BOOK(EN),B,D
\triangle	LYT0757-002A	INST.BOOK(GE),A,C,E
\triangle	LYT0757-003A	INST.BOOK(FR),A,C,E
\triangle	LYT0757-004A	INST.BOOK(DU),A,C,E
\triangle	LYT0757-005A	INST.BOOK(SP),A,C,E
\triangle	LYT0757-006A	INST.BOOK(IT),A,C,E
\triangle	LYT0757-007A	INST.BOOK(DA),A,C,E
\triangle	LYT0757-008A	INST.BOOK(FI),A,C,E
\triangle	LYT0757-009A	INST.BOOK(SW),A,C,E
\triangle	LYT0757-010A	INST.BOOK(NO),A,C,E
\triangle	LYT0757-011A	INST.BOOK(RU),A,C,E
\triangle	LYT0757-012A	INST.BOOK(CZ),A,C,E
\triangle	LYT0757-013A	INST.BOOK(PO),A,C,E
\triangle	LYT0757-014A	INST.BOOK(HU),A,C,E
\triangle 6	LYT0501-001A	INST.BOOK(SOFT.SETUP),B
\triangle 7	LYT0378-003A	SHEET(AGREMENT)
8	LYT0194-001B	Q.CARD(JUK),B,D
9	BT-54008-2	GUARANTY CARD,B,D
	BT-54013-2	WARRANTY CARD,A,C,E
10	QQR0490-002	CORE FILTER
11	LY32210-002B	CD ROM,A,B
	LY32210-004A	CD ROM,C,D,E
\triangle 12	LY20688-013A	AC ADAPTER,AP-V10EG
\triangle 13	LY31174-006A	BATTERY PACK,BN-V507U
14	LY32142-001A	JACK BOX,CU-V506,C,D,E
	LY32142-002A	JACK BOX,CU-V505,A,B
15	LY20750-001A	REMOTE CONTROL UNIT,RM-V717U
16	-	BATTERY,AAA(R03),X2
17	QPA01703005	POLY BAG,A,B
18	QAM0347-001	CABLE ASSY,AUDIO/VIDEO CABLE
19	QQR0918-002	CORE FILTER,A,B
20	PEAC0428-150	CABLE ASSY,EDITING CABLE,C,D,E
	QAM0214-001	RM(EDITING)CABLE,A,B
21	QQR0491-002	CORE FILTER,A,B
22	QAM0084-001	PC CONNECTION CABLE,A,B
23	QQR0918-002	CORE FILTER,A,B
24	QQR0491-002	CORE FILTER,A,B
\triangle 25	LYT0760-001A	INST.BOOK(SOFT.5LANG),C,E
\triangle	LYT0760-002A	INST.BOOK(SOFT.5LANG),C,E
\triangle	LYT0760-003A	INST.BOOK(SOFT.RU),C,E
\triangle	LYT0761-001A	INST.BOOK(SOFT.EN),D
\triangle	LYT0737-001A	INST.BOOK(SOFT.5LANG),A
\triangle	LYT0737-002A	INST.BOOK(SOFT.5LANG),A
\triangle	LYT0737-003A	INST.BOOK(SOFT.RU),A
26	QAM0322-001	USB CABLE,C,D,E
	QAM0262-002	MEMORY CARD,C,D,E
\triangle 28	QMPL120-190-JR	POWER CORD,A,C,E
\triangle	QMPP110-190-JR	POWER CORD,B,D
29	QAM0302-001	ADAPTOR PLUG,CABLE ADAPTER
30	LYT0760-004A	SHEET(ATT.),C,D,E

MODEL	MARK
GR-DVX44EG	A
GR-DVX44EK	B
GR-DVX77EG	C
GR-DVX77EK	D
GR-DVX88EG	E

• INSTRUCTIONS

EN ENGLISH
 GE GERMAN
 FR FRENCH
 DU DUTCH
 SP SPANISH
 IT ITALIAN
 DA DANISH
 FI FINNISH
 SW SWEDISH
 NO NORWEGIAN
 RU RUSSIAN
 CZ CZECH
 PO POLISH
 HU HUNGARIAN

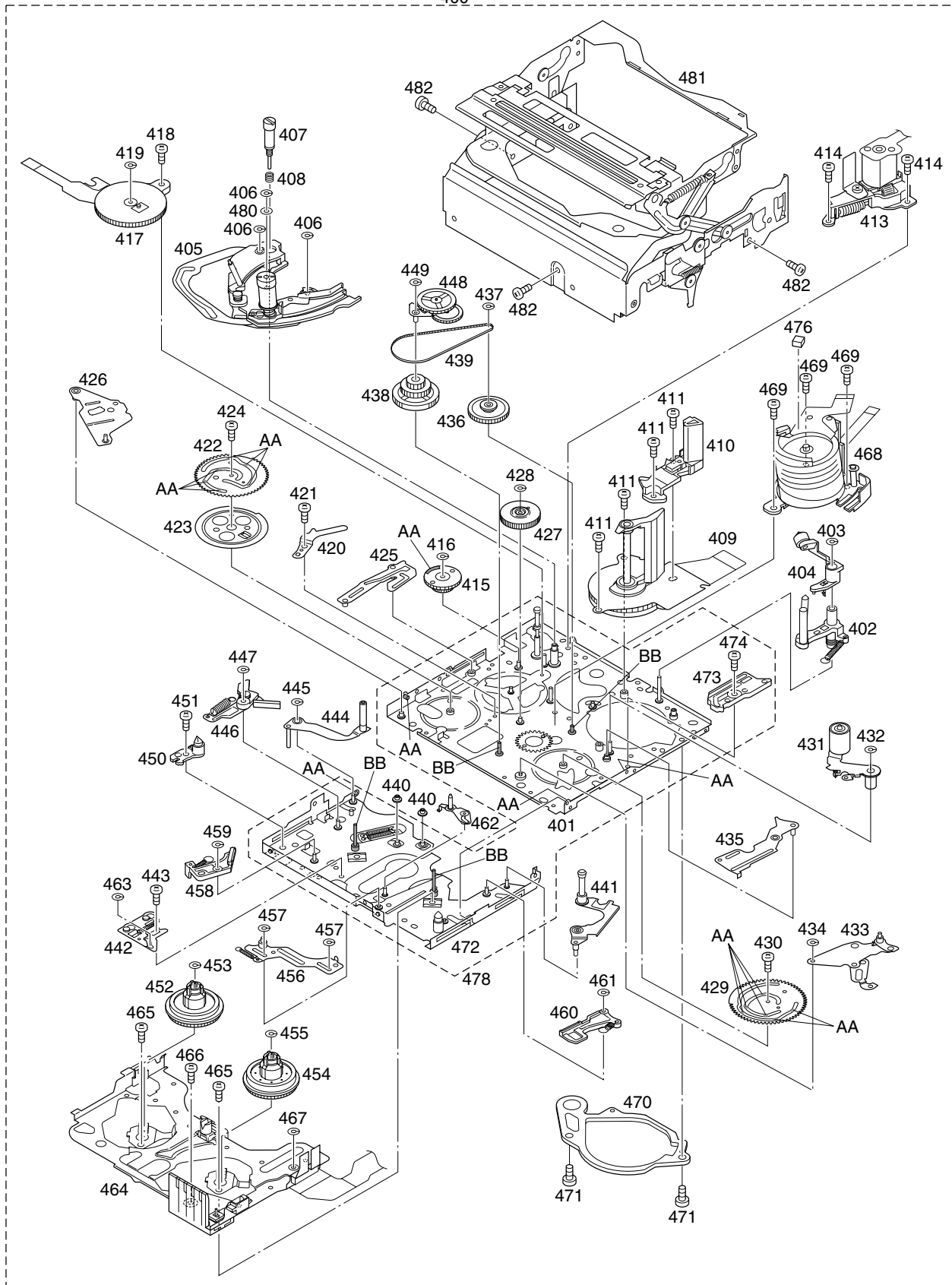
5.2 FINAL ASSEMBLY <M2>



#	△	REF No.	PART No.	PART NAME, DESCRIPTION	#	△	REF No.	PART No.	PART NAME, DESCRIPTION
***** FINAL ASSEMBLY <M2> *****									
					173		QYSPSPT1735R		SCREW
					174		LY30018-070A		SPECIAL SCREW
					175		QYSPSPT1735R		SCREW
					176		QYSPSPT1735R		SCREW
					177		LY30018-060A		SPECIAL SCREW
	△	101	LY10287-002A	LOWER CASE,A,B	178		LY41430-005A		SPACER
			LY20727-001A	LOWER CASE ASSY,C,D,E	185		LY10289-001A		UPPER CASE
		102	LY30018-006B	SPECIAL SCREW,X4	186		LY42163-003A		SHEET(CAUTION)2
		103	QYSPSPT1735R	SCREW,B	187		LY41701-002A		SHEET(CAUTION)1
			QYSPSPT1740R	SCREW,A,C,D,E	189		LY42350-001A		FOOT,X2
		104	QYSPSPT1720R	SCREW	190		LY30029-091A		SPACER(A),X2
		105	QYSPSPT1735R	SCREW	191		LY42906-003A		PLATE,C,D,E
		106	LY42911-001A	SHEET			LY42906-004A		PLATE,A,B
		107	LY32141-001A	BASE(T.P.)	192		LY43007-001A		LABEL(UPPER)
		108	LY42912-001A	BRACKET(BASE)1	193		LY41393-004A		COVER(JIG CONN)
		109	LY42291-001B	BRACKET(BASE)2	194		LY30018-070A		SPECIAL SCREW
		110	QYSPSPT1740R	SCREW	195		LY31102-001A		KNOB(LOCK)
		111	LY30018-063A	SPECIAL SCREW	196		LY42406-002A		SHEET,A,B
		112	LY32149-001A	BRACKET(TOP)	197		LY32170-001A		SUB OPE ASSY,C,D,E
		113	LY32133-002A	DECK OPE ASSY	198		LY31682-001B		LOCK(MONITOR)
		114	QYSPSPT1735R	SCREW,X2	199		LY30018-0B8A		SPECIAL SCREW
		115	WJT0034-001A	E-CARD WIRE,AUDIO CN801-DECK OPE.	200		LY32191-001A		FPC ASSY(J.BOX)
		116	LY30029-0E5A	SPACER(A)	201		LY30018-065A		SPECIAL SCREW,X3
		117	LY30018-020A	SPECIAL SCREW,X3	202		QYSPSPT1740R		SCREW,X2
		118	LY30018-006B	SPECIAL SCREW	203		QYSPSPT1735R		SCREW
		119	LY31093-004A	MIC UNIT	204		LY30018-068A		SPECIAL SCREW
		120	LY30018-060A	SPECIAL SCREW,X2	205		LY30018-060A		SPECIAL SCREW
		121	LY32132-001A	GRIP BELT	206		LY30018-070A		SPECIAL SCREW
		122	LY41588-001A	HOOK(OPE)	207		QYSPSGT1780R		SCREW,X2
		123	LY30018-0B5A	SPECIAL SCREW,X2	208		QYSPSPT1735R		SCREW,X2
		124	LY30016-040B	SPACER-A	209		LY41397-001A		PLATE(KNOB)
		130	LY10288-001A	CASSETTE COVER,C,D,E	210		LY42270-001A		BATTERY LOCK ASSY
			LY10288-002A	CASSETTE COVER,A,B	210A		LY30002-015A		COMPRESSION SPRING
		131	LY30018-006B	SPECIAL SCREW,X6	211		QYSPSPT1725Z		SCREW,X2
		132	LY30018-0B5A	SPECIAL SCREW	212		LY30018-0B9A		SPECIAL SCREW
		133	LY32131-001B	COVER(SD),C,D,E	213		LY31127-002A		DUMMY BATTERY
		134	LY42905-001B	WINDOW,C,D,E	214		LY30029-0H9A		SPACER(A)
		135	QYSPSPT1715R	SCREW,X2,C,D,E	215		LY43130-002A		STICKER,E
		136	LY32189-001B	FPC ASSY(SD),C,D,E			LY43130-003A		STICKER,C,D
		137	QYSPSPT1720R	SCREW,C,D,E			LY43130-006A		STICKER,A,B
		138	QYSPSPT1720R	SCREW,X2	216		LY30029-0H7B		SPACER(A)
		139	QAL0304-002	FPC,JUNC CN601-MDA CN208	217		LY41836-001A		SPACER
		140	LY20730-001A	CAMERA OPE UNIT	218		LY30029-0K1A		SPACER(A),C,D,E
		141	QYSPSPT1750Z	SCREW	220		LY20731-003B		FRONT COVER ASSY,C,D,E
		142	LY30018-0C3A	SPECIAL SCREW			LY20731-004B		FRONT COVER ASSY,A,B
		143	LY43096-001A	SPACER(C.OPE)	220A		LY42276-001B		INDICATOR
		144	QAS0076-001	SPEAKER,TO JUNCTION PWB	220B		LY42909-001A		WINDOW (IR)
		145	LY40301-001A	SPACER(SPK)	220C		LY42278-001A		WINDOW(STB),C,D,E
		146	LY32168-001A	HOLDER(SPK)	220D		LY32135-001A		COVER (DV)
		147	LY30018-096A	SPECIAL SCREW,X2	220E		LY42286-001A		HINGE(AV)
		148	LY30029-086A	SPACER(A)	220F		LY32137-001A		COVER (FRONT)
		149	LY30029-0H4B	SPACER(A)	220G		QYSPSGT1735Z		SCREW,X3
		150	LY30018-070A	SPECIAL SCREW	220H		LY32136-003A		COVER (AV),C,D,E
		151	LY30016-0H5A	SPACER-A			LY32136-004A		COVER (AV),A,B
		152	LY30018-070A	SPECIAL SCREW,X4	221		QYSPSGT1740R		SCREW,B
		153	LY30029-074A	SPACER(A)			QYSPSGT1740Z		SCREW,A,C,D,E
		154	LY20736-002B	ARM ASSY,A,B	222		LY30018-0B8A		SPECIAL SCREW
			LY20736-001C	ARM ASSY,C,D,E	223		QYSPSPT1735R		SCREW,X2
		154A	LY31665-001A	PLATE(LOCK)	224		LY30019-022A		SPECIAL SCREW
		154B	LY30001-023A	TENSION SPRING	225		LY31691-001B		HOOK
		154C	LY30018-056A	SPECIAL SCREW,X2	226		LY42910-001A		STUD(HOOK)
		154D	LY42268-001A	SPACER(SPK)	227		LY32138-001A		HOOD ASSY
		154E	LY32156-001A	BRACKET(HOOK)	228		LY32140-001A		BRACKET(OP)
		154F	LY31676-002A	KNOB(EJECT)	229		QYSPSGT1735Z		SCREW
		154G	LY30018-015A	SPECIAL SCREW	230		LY30018-070A		SPECIAL SCREW,X2
		154H	LY32129-001A	BRACKET(HINGE),C,D,E	231		QYSPSGT1735Z		SCREW,C,D,E
		154J	LY30001-024A	TENSION SPRING,C,D,E	232		LY30029-0H3A		SPACER(A),C,D,E
		154K	LY42900-001A	KNOB,C,D,E					
		154L	LY30002-051A	COMPRESSION SPRING,C,D,E					
		154M	LY30019-028A	SPECIAL SCREW,C,D,E					
		154N	LY42902-001A	PLATE(KNOB),C,D,E					
		154P	LY32287-001A	BRACKET(CARD)					
		155	LY30029-0J2C	SPACER(A)	251		J7A-243A		OPTICAL BLOCK ASSY
		156	LY30029-0J3A	SPACER(A)	251A		LY30723-001B		ZOOM MOTOR
		165	LY40698-002A	LABEL(HOUSING)	251B		LY30724-001B		FOCUS MOTOR
		166	LY40699-002A	LABEL(PUSH)	251C		LY30727-002A		SCREW,X5
		167	LY20732-001A	BRACKET(MECHA)	251D		LY30727-001A		SCREW,X2
		168	LY30019-026A	SPECIAL SCREW,X2	251E		LY42936-001A		OPTICAL LPF
		169	YQ43893-4	MINI SCREW	251F		LY31639-001A		SPACER RUBBER
		171	LY31696-001A	SHIELD PLATE	251G		QYSPSGU1750Z		SCREW,X2
		172	YQ43893-4	MINI SCREW	251H		LY32196-001A		IRIS MOTOR
					251J		YS40168F		CCD BASE ASSY
- OPTICAL BLOCK SECTION -									

5.3 MECHANISM ASSEMBLY <M3>

400



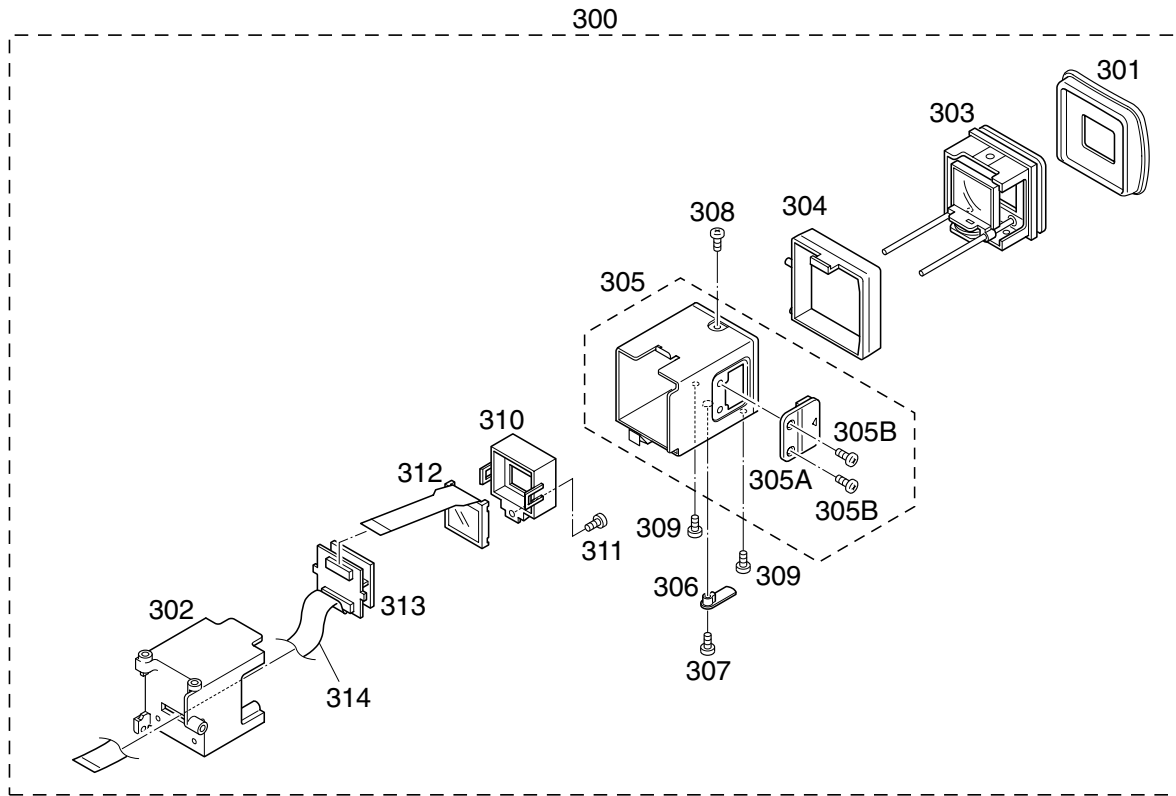
Classification	Part No.	Symbol in drawing
Grease	KYODO-SH-P	AA
Oil	YTU94027	BB

NOTE:The section marked in **AA** and **BB** indicate lubrication and greasing areas.

#	△ REF No.	PART No.	PART NAME, DESCRIPTION	#	△ REF No.	PART No.	PART NAME, DESCRIPTION

MECHANISM ASSEMBLY <M3>							
400		YMA0025H	MECHA(A)ASSY	460		LY40452-001C	SUB BRAKE ASSY
401		LY10077-001M	MAIN DECK ASSY	461		YQ44246	SLIT WASHER
402		LY30436-001G	SLANT POLE ARM ASSY	462		LY30479-001E	RELEASE GUIDE ASSY
403		YQ44246	SLIT WASHER	463		YQ44246	SLIT WASHER
404		LY30438-001B	CLEANER ARM ASSY	464		LY20146-001H	REEL COVER ASSY
405		LY10080-001V	RAIL ASSY	465		YQ43893-4	MINI SCREW,X2
406		YQ44246	SLIT WASHER,X3	466		YQ43893	MINI SCREW
407		LY40353-001D	GUIDE ROLLER(S)ASSY	467		YQ44246	SLIT WASHER
408		LY30002-006C	COMPRESSION SPRING	468		YDV2086K	DRUM ASSY
409		QAR0026-002	CAPSTAN MOTOR	469		YQ43893	MINI SCREW,X3
410		LY30504-001C	CATCHER(T)ASSY	470		LY20138-001D	PWB HOLDER
411		YQ43893	MINI SCREW,X4	471		YQ43893	MINI SCREW,X2
413		LY30448-001H	MOTOR BKT ASSY	472		LY10082-001L	SLIDE DECK ASSY
414		YQ43893	MINI SCREW,X2	473		LY30462-001B	LOADING GUIDE
415		LY30449-001C	WORM WHEEL	474		YQ43893	MINI SCREW
416		YQ44246	SLIT WASHER	476		LY30016-0M1A	SPACER-A
417		LY40496-001C	ROTARY ENCODER	478		LY30496-001W	DECK ASSY
418		YQ43893	MINI SCREW	480		LY41573-001A	WASHER
419		YQ44246	SLIT WASHER	481		LY30483-001Q	CASSETTE HOUSING ASSY
420		LY40614-001B	GEAR HOLDER	482		YQ43893-4	MINI SCREW,X3
421		YQ43893-6	MINI SCREW				
422		LY30450-001C	MAIN CAM				
423		LY30840-001A	BRAKE CTL PLATE				
424		YQ43893	MINI SCREW				
425		LY40373-001C	TC LEVER ASSY				
426		LY30452-001G	SLIDE LEVER ASSY				
427		LY30454-001A	CONNECT GEAR				
428		YQ44246	SLIT WASHER				
429		LY30455-001B	SUB CAM				
430		YQ43893	MINI SCREW				
431		LY30456-001F	PINCHROLLER ARM ASSY				
432		YQ44246	SLIT WASHER				
433		LY30459-001A	CHARGE ARM ASSY				
434		YQ44246	SLIT WASHER				
435		LY40387-001D	BC LEVER ASSY				
436		LY40389-001D	REEL DRIVE PULLEY ASSY				
437		YQ44246-2	SLIT WASHER				
438		LY40391-002B	CENTER GEAR ASSY				
439		LY40396-001A	TIMING BELT				
440		LY40413-001A	COLLAR,X2				
441		LY30468-001E	GUIDE ARM ASSY				
442		LY30618-001C	SLIDE GUIDE PLATE ASSY				
443		YQ43893-2	MINI SCREW				
444		LY40420-001J	TENSION ARM ASSY				
445		YQ44246	SLIT WASHER				
446		LY30471-001D	PAD ARM ASSY				
447		YQ44246	SLIT WASHER				
448		LY40432-001H	IDLER ARM ASSY				
449		YQ44246-2	SLIT WASHER				
450		LY30476-001A	GUIDE PIN(S)				
451		YQ43893	MINI SCREW				
452		LY40441-001B	REEL DISK(SUPPLY)ASSY				
453		YQ44246	SLIT WASHER				
454		LY40443-001B	REEL DISK(TAKE-UP)ASSY				
455		YQ44246	SLIT WASHER				
456		LY30477-001F	CTL PLATE ASSY				
457		YQ44246	SLIT WASHER,X2				
458		LY40444-001E	LOADING BRAKE ASSY				
459		YQ44246	SLIT WASHER				

5.4 ELECTRONIC VIEWFINDER ASSEMBLY <M4>



▲ REF No. PART No. PART NAME, DESCRIPTION

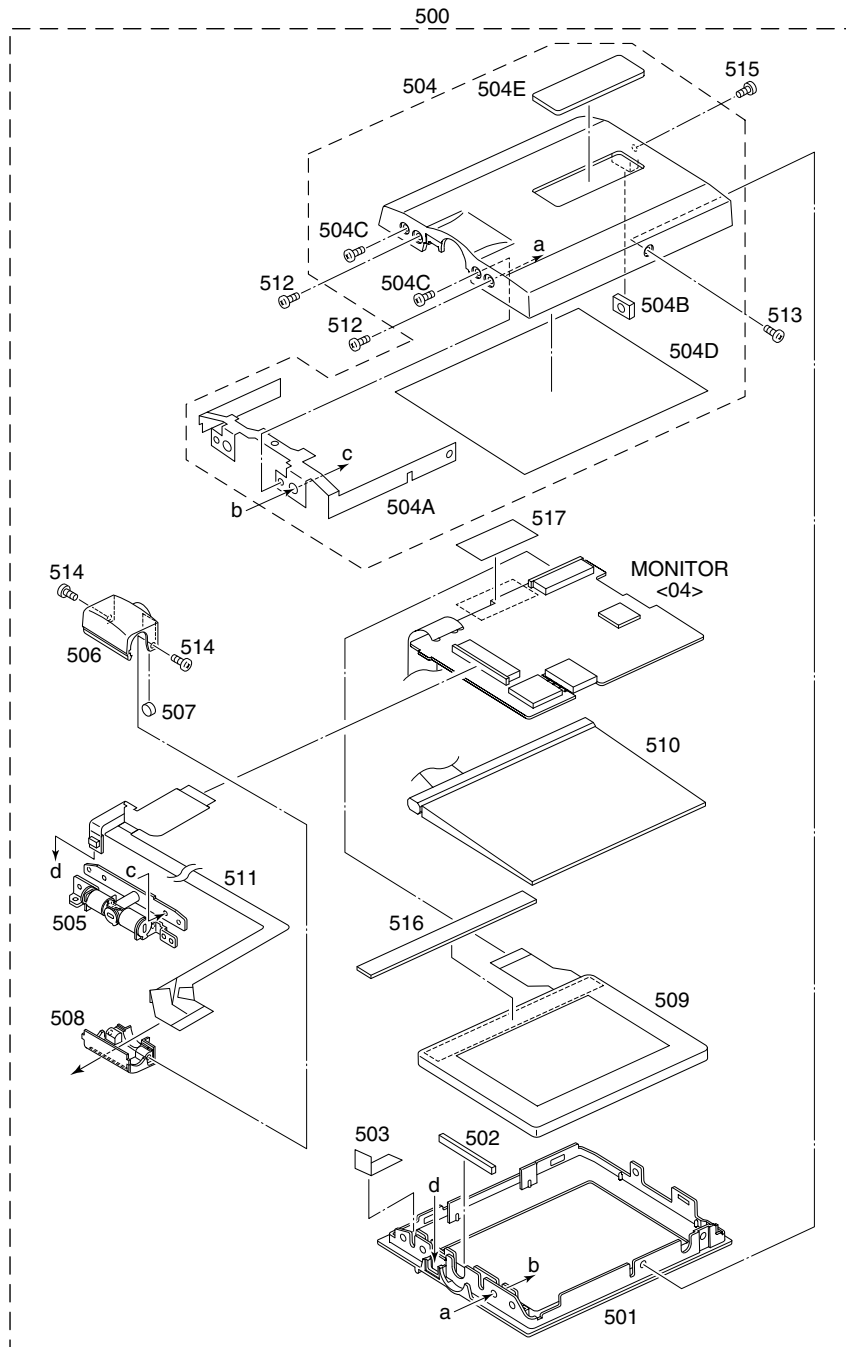
ELECTRONIC VIEWFINDER ASSEMBLY <M4>

#	REF No.	PART No.	PART NAME, DESCRIPTION
300		LY32148-001A	VF UNIT
301		PTY32149-001	EYE CUP
302		PTY32149-021	FRAME(VF)
303		PTY32149-041	EYE PIECE SUB ASSY
304		PTY32148-031	GUIDE(VF)
305		PTY32148-011	CASE/CAP ASSY
305A		PTY32149-012	CAP(VF)

▲ REF No. PART No. PART NAME, DESCRIPTION

305B	LY30029-034A	SCREW,X2
306	PTY31749-015	LEVER(VF)
307	LY30018-037A	SCREW
308	LY30018-019A	SCREW
309	LY30018-055A	SCREW,X2
310	PTY32149-051	HOLDER(LCD)
311	PTY32149-081	SCREW
312	QLD0117-001	LCD MODULE
313	PTY32148-061	B/L SUB ASSY
314	PTY32148-071	FFC

5.5 MONITOR ASSEMBLY <M5>



Δ REF No. PART No. PART NAME, DESCRIPTION

MONITOR ASSEMBLY <M5>

# Δ	REF No.	PART No.	PART NAME, DESCRIPTION
	500	LYH20260-003A	MONITOR ASSY,A,B
	500	LYH20260-005A	MONITOR ASSY,C,D,E
	501	LY20584-004A	MONITOR CASE
	502	LY30029-046B	SPACER(A)
	503	LY30029-0G5A	SPACER(A)
	504	LY20734-001A	MONITOR COVER ASSY,C,D,E
	504	LY20734-002A	MONITOR COVER ASSY,A,B
	504A	LY31699-001A	BRACKET(MONITOR)
	504B	LY40162-001A	BKT
	504C	QYSPSPT1720R	SCREW,X2
	504D	LY30029-047A	SPACER(A)

Δ REF No. PART No. PART NAME, DESCRIPTION

504E	LY42162-001A	MARK
505	LY31701-001C	HINGE ASSY
506	LY32147-001A	HINGE COVER(U)
507	LY40663-002A	MAGNET
508	LY32171-001A	HINGE COVER(L)
509	QLD0138-001	LCD MODULE
510	QLL0087-001	BACK LIGHT
511	LY32190-001A	FPC ASSY(MONI)
512	LY30018-0B1A	SPECIAL SCREW,X2
513	QYSPSPT1730R	SCREW
514	LY30018-060A	SPECIAL SCREW,X2
515	QYSPSPT1735R	SCREW
516	LY30029-076A	SPACER(A)
517	LY30029-093A	SPACER(A)

5.6 ELECTRICAL PARTS LIST

#	△ REF No.	PART No.	PART NAME, DESCRIPTION

MAIN BOARD ASSEMBLY <01>			
PW		YB10318B-02	MAIN BOARD ASSY,A,B
		YB10319B-02	MAIN BOARD ASSY,C,D,E
IC1001		UPD703039F1-A09	IC,A,B
		UPD703039F1-A10	IC,C,D,E
		or UPD70F3040F1A09	IC,A,B
		or UPD70F3040F1A10	IC,C,D,E
IC1002		RS5C314	IC
IC1003		AT25160N-10SC-X	IC
		or NM25C160LZEM8	IC
		or X25170S8I-2.5-X	IC
IC1004		TC75S56FU	IC
IC1005		TC7S00FU	IC
		or SN74AHC1G00K	IC
IC1006		MB90097PFV142	IC(MICRO C ROM)
IC1007		TC74VHC08FT	IC(DIGITAL)
		or SN74LV08APW	IC
IC1009		IC-PST9323U-X	IC
IC1101		TA75W01FU	IC
IC1301		SN74LV08APW	IC,A,B
IC1302		MAX3221CAE	IC,A,B
IC1303		SN74LV02APW	IC
IC1401		YQ44887A	CSP IC ASSY,A
		YQ44888A	CSP IC ASSY,B,C,D,E
IC1402		TC7W66FU	IC(DIGITAL),A,B
IC1403		TC7W53FU	IC(DIGITAL)
		or SN74AHC2G53T	IC
IC1404		TC7W14FU	IC(DIGITAL)
		or SN74AHC2G14T	IC
IC3001		JCY0133	IC
IC3002		JCY0136	IC
IC3003		TLC2940IPW	IC
IC3004		SN74AHC1G04K	IC
IC3006		JCY0164	IC
IC3501		JCY0132	IC
IC3701		BA7665FS	IC,A,B
		MM1510XN	IC,C,D,E
IC3702		MM1510XN	IC,C,D,E
IC3703		MM1506XN	IC,C,D,E
IC4201		HD49326BF	IC
IC4202		MM1385HN	IC
IC4301		JCY0150	IC
IC4302		TMS4C2973-28-X	IC
IC4303		TMS4C2973-28-X	IC,C,D,E
IC5501		JCY0117	IC
IC6001		S-80842ANNP-W	IC
IC6002		S-817A33ANB-W	IC
IC6101		FA3698F	IC
IC6601		TC7W74FU	IC(DIGITAL),C,D,E
		or TC7WH74FU	IC(DIGITAL),C,D,E
IC8001		JCY0121-4	IC,C,D,E
IC8002		MSM56V16160D1LS	IC,C,D,E
IC8003		M32310D5WG	IC,C,D,E
IC8004		39VF800A7CEKA08	IC(MICRO C ROM),C,D,E
		or LE28DW8163T8A02	IC(MICRO C ROM),C,D,E
		or 39VF800A9CEKA08	IC(MICRO C ROM),C,D,E
IC8005		SN74AHC1G00K	IC,C,D,E
		or TC7S00FU	IC,C,D,E
IC8006		MM1385NN	IC,C,D,E
IC8007		MM1385EN	IC,C,D,E

#	△ REF No.	PART No.	PART NAME, DESCRIPTION	
		IC8008	TC7WHU04FU	IC,C,D,E
		IC8009	TC7WH74FK	IC,C,D,E
		IC8010	TC7SH08FU	IC(DIGITAL),C,D,E
		IC8011	TC7WH74FK	IC,C,D,E
		IC8012	TC7WH32FK	IC,C,D,E
		IC8101	TMS320DA050-G	IC,C,D,E
			or TMS320DA050	IC,C,D,E
		IC8102	TC7MA2244FK	IC,C,D,E
		IC8103	TC7S04FU	IC(DIGITAL),C,D,E
		IC8401	ML60851CLB	IC,C,D,E
			or ML60851DLB	IC,C,D,E
		IC8402	S-80842ANNP-W	IC,C,D,E
		Q1001	DTC124EE	TRANSISTOR
			or UN9212J	TRANSISTOR
		Q1002	2SC4617/QR/-X	TRANSISTOR
		Q1003	DTC143EE	TRANSISTOR
			or RN1101	TRANSISTOR
			or UN921LJ	TRANSISTOR
		Q1004	DTA114EE	TRANSISTOR
			or PDA114EE	TRANSISTOR
			or RN2102	TRANSISTOR
			or UN9111J	TRANSISTOR
		Q1005	DTC144EE	TRANSISTOR
			or UN9213J	TRANSISTOR
			or RN1104	TRANSISTOR
			or PDTC144EE	TRANSISTOR
		Q1006	DTA114EE	TRANSISTOR
			or PDA114EE	TRANSISTOR
			or RN2102	TRANSISTOR
			or UN9111J	TRANSISTOR
		Q1007	DTC144EE	TRANSISTOR
			or UN9213J	TRANSISTOR
			or RN1104	TRANSISTOR
			or PDTC144EE	TRANSISTOR
		Q1301	2SC4617/RS/-X	TRANSISTOR
		Q1401	DTA114EE	TRANSISTOR
			or PDA114EE	TRANSISTOR
			or RN2102	TRANSISTOR
			or UN9111J	TRANSISTOR
		Q1402	UMC3N	TRANSISTOR
		Q1403	UMC3N	TRANSISTOR
		Q1404	DTC144EE	TRANSISTOR
			or PDTC144EE	TRANSISTOR
			or RN1104	TRANSISTOR
			or UN9213J	TRANSISTOR
		Q3701	UMT2N	PAIR TRANSISTOR
		Q3702	UMZ1N	PAIR TRANSISTOR,A,B
			2SA1774/RS/-X	TRANSISTOR,C,D,E
		Q3703	UMZ1N	PAIR TRANSISTOR,C,D,E
			or PUMZ1	PAIR TRANSISTOR,C,D,E
		Q4301	UMT2N	PAIR TRANSISTOR
		Q4302	UMT2N	PAIR TRANSISTOR
		Q6001	DTC144EE	TRANSISTOR
			or PDTC144EE	TRANSISTOR
			or RN1104	TRANSISTOR
			or UN9213J	TRANSISTOR
		Q6002	2SK3019	MOS FET
		Q6003	2SJ347	MOS FET
		Q6004	2SB1121/TU/-X	TRANSISTOR
		Q6201	NDS352AP	MOS FET
		Q6202	2SA1577/QR/-X	TRANSISTOR
		Q6203	SSM6J07FU	MOS FET
		Q6204	CPH3304	MOS FET

#	△	REF No.	PART No.	PART NAME, DESCRIPTION	#	△	REF No.	PART No.	PART NAME, DESCRIPTION
		Q6205	CPH3101	TRANSISTOR			R1007	NRSA6AJ-334W	MG RESISTOR 330kΩ, 1/16W
		Q6206	2SC4617/RS/-X	TRANSISTOR			R1009	NRSA6AJ-151W	MG RESISTOR 150Ω, 1/16W
		Q6208	SSM6J07FU	MOS FET			R1010	NRSA6AJ-561W	MG RESISTOR 560Ω, 1/16W
		Q6210	SSM6J07FU	MOS FET			R1011	NRSA6AJ-103W	MG RESISTOR 10kΩ, 1/16W
		Q6211	NDS352AP	MOS FET			R1012	NRSA6AJ-102W	MG RESISTOR 1kΩ, 1/16W
		Q6212	HN1C01FU/G/-X	PAIR TRANSISTOR			R1013	NRSA6AJ-103W	MG RESISTOR 10kΩ, 1/16W
			or PUMX1	PAIR TRANSISTOR			R1015	NRSA6AJ-474W	MG RESISTOR 470kΩ, 1/16W
		Q6213	2SA1577/RS/-X	TRANSISTOR			R1017	NRSA6AJ-104W	MG RESISTOR 100kΩ, 1/16W
		Q6214	DTC144EE	TRANSISTOR			R1018	NRSA6AJ-103W	MG RESISTOR 10kΩ, 1/16W
			or PDC144EE	TRANSISTOR			R1019	NRSA6AJ-0R0W	MG RESISTOR 0Ω, 1/16W
			or UN9213J	TRANSISTOR			R1020	NRSA6AJ-331W	MG RESISTOR 330Ω, 1/16W
			or RN1104	TRANSISTOR			R1021	NRSA6AJ-331W	MG RESISTOR 330Ω, 1/16W
		Q6215	HN1A01FU/G/-X	PAIR TRANSISTOR			R1022	NRSA6AJ-331W	MG RESISTOR 330Ω, 1/16W
			or PUMT1	PAIR TRANSISTOR			R1023	NRSA6AJ-103W	MG RESISTOR 10kΩ, 1/16W
		Q6216	2SC4617/RS/-X	TRANSISTOR			R1024	NRSA6AJ-823W	MG RESISTOR 82kΩ, 1/16W
		Q6601	DTC144EE	TRANSISTOR,C,D,E			R1025	NRSA6AJ-623W	MG RESISTOR 62kΩ, 1/16W
			or PDC144EE	TRANSISTOR,C,D,E			R1026	NRSA6AJ-104W	MG RESISTOR 100kΩ, 1/16W
			or UN9213J	TRANSISTOR,C,D,E			R1027	NRSA6AJ-104W	MG RESISTOR 100kΩ, 1/16W
			or RN1104	TRANSISTOR,C,D,E			R1028	NRSA6AJ-185W	MG RESISTOR 1.8MΩ, 1/16W
		Q6602	UMS1N	PAIR TRANSISTOR,C,D,E			R1029	NRSA6AJ-473W	MG RESISTOR 47kΩ, 1/16W
		Q6611	2SA1774/RS/-X	TRANSISTOR,C,D,E			R1030	NRSA6AJ-104W	MG RESISTOR 100kΩ, 1/16W
		Q6612	UMS1N	PAIR TRANSISTOR,C,D,E			R1031	NRSA6AJ-102W	MG RESISTOR 1kΩ, 1/16W
		Q6613	2SC4617/RS/-X	TRANSISTOR,C,D,E			R1032	NRSA6AJ-104W	MG RESISTOR 100kΩ, 1/16W
		Q6614	RN1702	TRANSISTOR,C,D,E			R1033	NRSA6AJ-102W	MG RESISTOR 1kΩ, 1/16W
		Q6615	UMC4N	TRANSISTOR,C,D,E			R1034	NRSA6AJ-102W	MG RESISTOR 1kΩ, 1/16W
		Q6701	TPC6102	MOS FET			R1035	NRSA6AJ-473W	MG RESISTOR,A,B 47kΩ, 1/16W
		Q7001	UMZ1N	PAIR TRANSISTOR			R1036	NRSA6AJ-0R0W	MG RESISTOR,A,B 0Ω, 1/16W
			or PUMZ1	PAIR TRANSISTOR			R1037	NRSA6AJ-103W	MG RESISTOR 10kΩ, 1/16W
		Q8401	DTA114EE	TRANSISTOR,C,D,E			R1038	NRSA6AJ-0R0W	MG RESISTOR,A,B 0Ω, 1/16W
			or PDTA114EE	TRANSISTOR,C,D,E			R1039	NRSA6AJ-103W	MG RESISTOR 10kΩ, 1/16W
			or UN9111J	TRANSISTOR,C,D,E			R1040	NRSA6AJ-103W	MG RESISTOR 10kΩ, 1/16W
			or RN2102	TRANSISTOR,C,D,E			R1041	NRSA6AJ-473W	MG RESISTOR,A,B 47kΩ, 1/16W
		D1001	DA221	DIODE			R1042	NRSA6AJ-473W	MG RESISTOR,A,B 47kΩ, 1/16W
		D1302	RB501V-40-X	SB DIODE			R1043	NRSA6AJ-473W	MG RESISTOR,A,B 47kΩ, 1/16W
		D2901	EMZ6.8N	ZENER DIODE			R1044	NRSA6AJ-123W	MG RESISTOR 12kΩ, 1/16W
		D2902	EMZ6.8N	ZENER DIODE,C,D,E			R1045	NRSA6AJ-822W	MG RESISTOR 8.2kΩ, 1/16W
		D2903	EMZ6.8N	ZENER DIODE			R1046	NRSA6AJ-103W	MG RESISTOR 10kΩ, 1/16W
		D2904	EMZ6.8N	ZENER DIODE,A,B			R1047	NRSA6AJ-473W	MG RESISTOR 47kΩ, 1/16W
		D2905	EMZ6.8N	ZENER DIODE			R1048	NRSA6AJ-473W	MG RESISTOR 47kΩ, 1/16W
		D3001	EC2C01C	VARI CAP DIODE			R1049	NRSA6AJ-393W	MG RESISTOR 39kΩ, 1/16W
		D3002	EC2C01C	VARI CAP DIODE			R1050	NRSA6AJ-223W	MG RESISTOR 22kΩ, 1/16W
		D3003	EC2C01C	VARI CAP DIODE			R1051	NRSA6AJ-272W	MG RESISTOR 2.7kΩ, 1/16W
		D3701	UMZ6.8EN	ZENER DIODE			R1052	NRSA6AJ-183W	MG RESISTOR 18kΩ, 1/16W
		D5501	1SS355	DIODE			R1053	NRSA6AJ-154W	MG RESISTOR 150kΩ, 1/16W
△		D6001	RB706D-40-X	SB DIODE			R1054	NRSA6AJ-473W	MG RESISTOR 47kΩ, 1/16W
		D6002	RB715F	SB DIODE			R1055	NRSA6AJ-103W	MG RESISTOR 10kΩ, 1/16W
		D6201	CRS06	SB DIODE			R1056	NRSA6AJ-472W	MG RESISTOR 4.7kΩ, 1/16W
		D6202	CRS06	SB DIODE			R1057	NRSA6AJ-473W	MG RESISTOR 47kΩ, 1/16W
		D6203	CRS06	SB DIODE			R1058	NRSA6AJ-222W	MG RESISTOR 2.2kΩ, 1/16W
		D6204	CRS06	SB DIODE			R1059	NRSA6AJ-473W	MG RESISTOR,A,B 47kΩ, 1/16W
		D6205	CRS06	SB DIODE			R1060	NRSA6AJ-473W	MG RESISTOR,A,B 47kΩ, 1/16W
		D6206	1SS383	SB DIODE			R1061	NRSA6AJ-102W	MG RESISTOR 1kΩ, 1/16W
		D6207	MA8091/L/-X	ZENER DIODE			R1062	NRSA6AJ-102W	MG RESISTOR,C,D,E 1kΩ, 1/16W
		D6701	CRS09	SB DIODE				NRSA6AJ-473W	MG RESISTOR,A,B 47kΩ, 1/16W
		D6702	CRS09	SB DIODE			R1063	NRSA6AJ-473W	MG RESISTOR,A,B 47kΩ, 1/16W
		D8001	RB751V-40-X	SB DIODE,C,D,E				NRSA6AJ-0R0W	MG RESISTOR,C,D,E 0Ω, 1/16W
		D8401	RB751V-40-X	SB DIODE,C,D,E			R1064	NRSA6AJ-0R0W	MG RESISTOR,C,D,E 0Ω, 1/16W
		R1001	NRSA6AJ-104W	MG RESISTOR	100kΩ, 1/16W			NRSA6AJ-473W	MG RESISTOR,A,B 47kΩ, 1/16W
		R1002	NRSA6AJ-224W	MG RESISTOR	220kΩ, 1/16W		R1065	NRSA6AJ-0R0W	MG RESISTOR,C,D,E 0Ω, 1/16W
		R1003	NRSA6AJ-472W	MG RESISTOR	4.7kΩ, 1/16W			NRSA6AJ-473W	MG RESISTOR,A,B 47kΩ, 1/16W
		R1004	NRSA6AJ-103W	MG RESISTOR	10kΩ, 1/16W		R1066	NRSA6AJ-473W	MG RESISTOR 47kΩ, 1/16W
		R1005	NRSA6AJ-153W	MG RESISTOR	15kΩ, 1/16W		R1067	NRSA6AJ-473W	MG RESISTOR,A,B 47kΩ, 1/16W
		R1006	NRSA6AJ-103W	MG RESISTOR	10kΩ, 1/16W		R1068	NRSA6AJ-473W	MG RESISTOR,A,B 47kΩ, 1/16W

#	△ REF No.	PART No.	PART NAME, DESCRIPTION		#	△ REF No.	PART No.	PART NAME, DESCRIPTION	
R1069		NRSA6AJ-473W	MG RESISTOR,A,B	47kΩ,1/16W	R3014		NRSA6AJ-392W	MG RESISTOR	3.9kΩ,1/16W
R1070		NRSA6AJ-103W	MG RESISTOR	10kΩ,1/16W	R3015		NRSA6AJ-392W	MG RESISTOR	3.9kΩ,1/16W
R1071		NRSA6AJ-474W	MG RESISTOR	470kΩ,1/16W	R3016		NRSA6AD-560W	MG RESISTOR	56Ω,1/16W
R1072		NRSA6AJ-104W	MG RESISTOR	100kΩ,1/16W	R3017		NRSA6AD-560W	MG RESISTOR	56Ω,1/16W
R1073		NRSA6AJ-103W	MG RESISTOR	10kΩ,1/16W	R3018		NRSA6AD-560W	MG RESISTOR	56Ω,1/16W
R1074		NRSA6AJ-103W	MG RESISTOR	10kΩ,1/16W	R3019		NRSA6AD-560W	MG RESISTOR	56Ω,1/16W
R1075		NRSA6AJ-103W	MG RESISTOR	10kΩ,1/16W	R3020		NRSA6AD-512W	MG RESISTOR	5.1kΩ,1/16W
R1076		NRSA6AJ-0R0W	MG RESISTOR,C,D,E	0Ω,1/16W	R3021		NRSA6AJ-0R0W	MG RESISTOR,C,D,E	0Ω,1/16W
R1080		NRSA6AJ-104W	MG RESISTOR	100kΩ,1/16W	R3022		NRSA6AJ-0R0W	MG RESISTOR,C,D,E	0Ω,1/16W
R1101		NRSA6AJ-333W	MG RESISTOR	33kΩ,1/16W	R3023		NRSA6AJ-0R0W	MG RESISTOR,C,D,E	0Ω,1/16W
R1102		NRSA6AJ-472W	MG RESISTOR	4.7kΩ,1/16W	R3024		NRSA6AJ-0R0W	MG RESISTOR,C,D,E	0Ω,1/16W
R1104		NRSA6AJ-105W	MG RESISTOR	1MΩ,1/16W	R3027		NRSA6AJ-103W	MG RESISTOR	10kΩ,1/16W
R1106		NRSA6AJ-105W	MG RESISTOR	1MΩ,1/16W	R3029		NRSA6AJ-103W	MG RESISTOR	10kΩ,1/16W
R1107		NRSA6AJ-103W	MG RESISTOR	10kΩ,1/16W	R3030		NRSA6AJ-224W	MG RESISTOR	220kΩ,1/16W
R1108		NRSA6AJ-472W	MG RESISTOR	4.7kΩ,1/16W	R3031		NRSA6AJ-224W	MG RESISTOR	220kΩ,1/16W
R1109		NRSA6AJ-103W	MG RESISTOR	10kΩ,1/16W	R3033		NRSA6AJ-0R0W	MG RESISTOR	0Ω,1/16W
R1302		NRSA6AJ-472W	MG RESISTOR	4.7kΩ,1/16W	R3034		NRSA6AJ-222W	MG RESISTOR	2.2kΩ,1/16W
R1306		NRSA6AJ-472W	MG RESISTOR	4.7kΩ,1/16W	R3041		NRSA6AJ-561W	MG RESISTOR	560Ω,1/16W
R1401		NRSA6AJ-102W	MG RESISTOR	1kΩ,1/16W	R3042		NRSA6AJ-561W	MG RESISTOR	560Ω,1/16W
R1402		NRSA6AJ-222W	MG RESISTOR	2.2kΩ,1/16W	R3043		NRSA6AJ-561W	MG RESISTOR	560Ω,1/16W
R1403		NRSA6AJ-222W	MG RESISTOR	2.2kΩ,1/16W	R3044		NRSA6AJ-392W	MG RESISTOR	3.9kΩ,1/16W
R1408		NRSA6AJ-472W	MG RESISTOR	4.7kΩ,1/16W	R3046		NRSA6AD-222W	MG RESISTOR	2.2kΩ,1/16W
R1409		NRSA6AJ-331W	MG RESISTOR	330Ω,1/16W	R3050		NRSA6AJ-101W	MG RESISTOR	100Ω,1/16W
R1410		NRSA6AJ-331W	MG RESISTOR	330Ω,1/16W	R3052		NRSA6AJ-103W	MG RESISTOR	10kΩ,1/16W
R1411		NRSA6AJ-473W	MG RESISTOR	47kΩ,1/16W	R3053		NRSA6AJ-103W	MG RESISTOR	10kΩ,1/16W
R1412		NRSA6AJ-331W	MG RESISTOR	330Ω,1/16W	R3054		NRSA6AJ-103W	MG RESISTOR	10kΩ,1/16W
R1414		NRSA6AJ-331W	MG RESISTOR	330Ω,1/16W	R3055		NRSA6AJ-103W	MG RESISTOR	10kΩ,1/16W
R1415		NRSA6AJ-331W	MG RESISTOR	330Ω,1/16W	R3058		NRSA6AJ-101W	MG RESISTOR	100Ω,1/16W
R1416		NRSA6AJ-331W	MG RESISTOR	330Ω,1/16W	R3501		NRSA6AJ-471W	MG RESISTOR	470Ω,1/16W
R1417		NRSA6AJ-102W	MG RESISTOR,A,B	1kΩ,1/16W	R3502		NRSA6AJ-104W	MG RESISTOR	100kΩ,1/16W
R1418		NRSA6AJ-221W	MG RESISTOR	220Ω,1/16W	R3503		NRSA6AJ-102W	MG RESISTOR	1kΩ,1/16W
R1419		NRSA6AJ-221W	MG RESISTOR	220Ω,1/16W	R3504		NRSA6AD-241W	MG RESISTOR	240Ω,1/16W
R1420		NRSA6AJ-473W	MG RESISTOR	47kΩ,1/16W	R3505		NRSA6AD-241W	MG RESISTOR	240Ω,1/16W
R1422		NRSA6AJ-332W	MG RESISTOR	3.3kΩ,1/16W	R3506		NRSA6AD-241W	MG RESISTOR	240Ω,1/16W
R1423		NRSA6AJ-332W	MG RESISTOR	3.3kΩ,1/16W	R3507		NRSA6AD-241W	MG RESISTOR	240Ω,1/16W
R1424		NRSA6AJ-332W	MG RESISTOR	3.3kΩ,1/16W	R3508		NRSA6AJ-223W	MG RESISTOR	22kΩ,1/16W
R1425		NRVA6AD-753W	CMF RESISTOR	75kΩ,1/16W	R3521		NRSA6AJ-0R0W	MG RESISTOR	0Ω,1/16W
R1426		NRSA6AJ-334W	MG RESISTOR	330kΩ,1/16W	R3522		NRSA6AJ-0R0W	MG RESISTOR	0Ω,1/16W
R1427		NRSA6AJ-103W	MG RESISTOR	10kΩ,1/16W	R3701		NRSA6AD-241W	MG RESISTOR,A,B	240Ω,1/16W
R1428		NRSA6AJ-153W	MG RESISTOR	15kΩ,1/16W			NRSA6AD-121W	MG RESISTOR,C,D,E	120Ω,1/16W
R1429		NRSA6AJ-102W	MG RESISTOR	1kΩ,1/16W	R3702		NRSA6AD-241W	MG RESISTOR,A,B	240Ω,1/16W
R1430		NRSA6AJ-102W	MG RESISTOR	1kΩ,1/16W			NRSA6AD-121W	MG RESISTOR,C,D,E	120Ω,1/16W
R1432		NRSA6AJ-820W	MG RESISTOR	82Ω,1/16W	R3703		NRSA6AJ-472W	MG RESISTOR	4.7kΩ,1/16W
R1433		NRSA6AJ-102W	MG RESISTOR,A,B	1kΩ,1/16W	R3704		NRSA6AJ-0R0W	MG RESISTOR,C,D,E	0Ω,1/16W
R1434		NRSA6AJ-683W	MG RESISTOR	68kΩ,1/16W	R3705		NRSA6AJ-0R0W	MG RESISTOR,C,D,E	0Ω,1/16W
R1435		NRSA6AJ-102W	MG RESISTOR,A,B	1kΩ,1/16W	R3706		NRSA6AD-221W	MG RESISTOR,A,B	220Ω,1/16W
R1436		NRSA6AJ-683W	MG RESISTOR	68kΩ,1/16W			NRSA6AD-111W	MG RESISTOR,C,D,E	110Ω,1/16W
R1437		NRVA6AD-103W	CMF RESISTOR	10kΩ,1/16W	R3707		NRSA6AD-221W	MG RESISTOR,A,B	220Ω,1/16W
R1439		NRSA6AJ-332W	MG RESISTOR	3.3kΩ,1/16W			NRSA6AD-111W	MG RESISTOR,C,D,E	110Ω,1/16W
R1440		NRSA6AJ-332W	MG RESISTOR	3.3kΩ,1/16W	R3708		NRSA6AJ-472W	MG RESISTOR	4.7kΩ,1/16W
R1441		NRSA6AJ-332W	MG RESISTOR	3.3kΩ,1/16W	R3709		NRSA6AD-102W	MG RESISTOR,C,D,E	1kΩ,1/16W
R1442		NRSA6AJ-332W	MG RESISTOR	3.3kΩ,1/16W	R3710		NRSA6AD-102W	MG RESISTOR,C,D,E	1kΩ,1/16W
R1443		NRSA6AJ-102W	MG RESISTOR,C,D,E	1kΩ,1/16W	R3711		NRSA6AJ-222W	MG RESISTOR,C,D,E	2.2kΩ,1/16W
R1444		NRSA6AJ-102W	MG RESISTOR,C,D,E	1kΩ,1/16W	R3712		NRSA6AD-680W	MG RESISTOR,A,B	68Ω,1/16W
R1445		NRSA6AJ-101W	MG RESISTOR	100Ω,1/16W	R3713		NRSA6AD-680W	MG RESISTOR	68Ω,1/16W
R3002		NRSA6AJ-103W	MG RESISTOR	10kΩ,1/16W	R3714		NRSA6AD-680W	MG RESISTOR,C,D,E	68Ω,1/16W
R3004		NRSA6AJ-103W	MG RESISTOR	10kΩ,1/16W			NRSA6AJ-123W	MG RESISTOR,A,B	12kΩ,1/16W
R3007		NRSA6AJ-562W	MG RESISTOR	5.6kΩ,1/16W	R3715		NRSA6AJ-103W	MG RESISTOR	10kΩ,1/16W
R3008		NRSA6AJ-222W	MG RESISTOR	2.2kΩ,1/16W	R3716		NRSA6AJ-103W	MG RESISTOR,C,D,E	10kΩ,1/16W
R3009		NRSA6AJ-103W	MG RESISTOR	10kΩ,1/16W	R3717		NRSA6AJ-105W	MG RESISTOR,C,D,E	1MΩ,1/16W
R3010		NRSA6AJ-103W	MG RESISTOR	10kΩ,1/16W			NRSA6AJ-561W	MG RESISTOR,A,B	560Ω,1/16W
R3011		NRSA6AJ-224W	MG RESISTOR	220kΩ,1/16W	R3718		NRSA6AJ-561W	MG RESISTOR,A,B	560Ω,1/16W
R3013		NRSA6AJ-242W	MG RESISTOR	2.4kΩ,1/16W			NRSA6AJ-823W	MG RESISTOR,C,D,E	82kΩ,1/16W

#	△ REF No.	PART No.	PART NAME, DESCRIPTION	#	△ REF No.	PART No.	PART NAME, DESCRIPTION
	R3719	NRSA6AJ-103W	MG RESISTOR,A,B 10kΩ,1/16W		R5507	NRSA6AJ-0R0W	MG RESISTOR 0Ω,1/16W
		NRSA6AJ-104W	MG RESISTOR,C,D,E 100kΩ,1/16W		R5509	NRSA6AJ-470W	MG RESISTOR 47Ω,1/16W
	R3720	NRSA6AJ-103W	MG RESISTOR,C,D,E 10kΩ,1/16W		R5510	NRSA6AJ-470W	MG RESISTOR 47Ω,1/16W
	R3723	NRSA6AJ-472W	MG RESISTOR 4.7kΩ,1/16W		R5511	NRSA6AJ-470W	MG RESISTOR 47Ω,1/16W
	R3724	NRSA6AJ-392W	MG RESISTOR,A,B 3.9kΩ,1/16W		R5512	NRSA6AJ-102W	MG RESISTOR 1kΩ,1/16W
		NRSA6AJ-152W	MG RESISTOR,C,D,E 1.5kΩ,1/16W		R5513	NRSA6AJ-102W	MG RESISTOR 1kΩ,1/16W
	R3725	NRSA6AJ-0R0W	MG RESISTOR,A,B 0Ω,1/16W		R5514	NRSA6AJ-102W	MG RESISTOR 1kΩ,1/16W
	R3726	NRSA6AJ-0R0W	MG RESISTOR,A,B 0Ω,1/16W		R6001	NRSA6AJ-104W	MG RESISTOR 100kΩ,1/16W
	R4202	NRSA6AJ-0R0W	MG RESISTOR 0Ω,1/16W		R6002	NRSA6AJ-104W	MG RESISTOR 100kΩ,1/16W
	R4203	NRSA6AJ-0R0W	MG RESISTOR 0Ω,1/16W		R6003	NRSA6AJ-224W	MG RESISTOR 220kΩ,1/16W
	R4204	NRSA6AJ-220W	MG RESISTOR 22Ω,1/16W		R6004	NRSA6AJ-183W	MG RESISTOR 18kΩ,1/16W
	R4205	NRSA6AJ-243W	MG RESISTOR 24kΩ,1/16W		R6005	NRSA6AJ-104W	MG RESISTOR 100kΩ,1/16W
	R4206	NRSA6AJ-102W	MG RESISTOR 1kΩ,1/16W	△	R6008	NRSA63J-471X	MG RESISTOR 470Ω,1/16W
	R4207	NRSA6AJ-102W	MG RESISTOR 1kΩ,1/16W	△	R6009	NRSA63J-102X	MG RESISTOR 1kΩ,1/16W
	R4208	NRSA6AJ-102W	MG RESISTOR 1kΩ,1/16W		R6010	NRSA6AJ-473W	MG RESISTOR 47kΩ,1/16W
	R4301	NRSA6AJ-101W	MG RESISTOR 100Ω,1/16W		R6011	NRSA6AJ-102W	MG RESISTOR 1kΩ,1/16W
	R4302	NRSA6AJ-100W	MG RESISTOR,C,D,E 10Ω,1/16W		R6012	NRVA6AD-104W	CMF RESISTOR 100kΩ,1/16W
	R4304	NRSA6AJ-0R0W	MG RESISTOR 0Ω,1/16W		R6013	NRVA6AD-683W	CMF RESISTOR 68kΩ,1/16W
	R4305	NRSA6AJ-0R0W	MG RESISTOR 0Ω,1/16W		R6014	NRSA63J-0R0X	MG RESISTOR,C,D,E 0Ω,1/16W
	R4307	NRVA6AD-333W	CMF RESISTOR 33kΩ,1/16W		R6015	NRVA6AD-104W	CMF RESISTOR 100kΩ,1/16W
	R4308	NRVA6AD-682W	CMF RESISTOR 6.8kΩ,1/16W		R6016	NRVA6AD-333W	CMF RESISTOR 33kΩ,1/16W
	R4309	NRSA6AJ-0R0W	MG RESISTOR 0Ω,1/16W		R6101	NRVA6AD-103W	CMF RESISTOR 10kΩ,1/16W
	R4311	NRVA6AD-272W	CMF RESISTOR 2.7kΩ,1/16W		R6102	NRVA6AD-471W	CMF RESISTOR 470Ω,1/16W
	R4312	NRVA6AD-272W	CMF RESISTOR,A,B 2.7kΩ,1/16W		R6103	NRVA6AD-622W	CMF RESISTOR 6.2kΩ,1/16W
		NRVA6AD-132W	CMF RESISTOR,C,D,E 1.3kΩ,1/16W		R6106	NRSA6AJ-333W	MG RESISTOR 33kΩ,1/16W
	R4313	NRVA6AD-272W	CMF RESISTOR,A,B 2.7kΩ,1/16W		R6107	NRVA6AD-562W	CMF RESISTOR 5.6kΩ,1/16W
		NRVA6AD-132W	CMF RESISTOR,C,D,E 1.3kΩ,1/16W		R6108	NRSA6AJ-223W	MG RESISTOR 22kΩ,1/16W
	R4314	NRVA6AD-123W	CMF RESISTOR 12kΩ,1/16W		R6110	NRSA6AJ-0R0W	MG RESISTOR 0Ω,1/16W
	R4315	NRVA6AD-103W	CMF RESISTOR 10kΩ,1/16W		R6112	NRSA6AJ-0R0W	MG RESISTOR 0Ω,1/16W
	R4316	NRVA6AD-111W	CMF RESISTOR 110Ω,1/16W		R6113	NRSA6AJ-472W	MG RESISTOR 4.7kΩ,1/16W
	R4317	NRSA6AJ-0R0W	MG RESISTOR 0Ω,1/16W		R6114	NRSA6AJ-823W	MG RESISTOR 82kΩ,1/16W
	R4318	NRSA6AJ-152W	MG RESISTOR 1.5kΩ,1/16W		R6115	NRSA6AJ-823W	MG RESISTOR 82kΩ,1/16W
	R4319	NRVA6AD-111W	CMF RESISTOR 110Ω,1/16W		R6116	NRVA6AD-153W	CMF RESISTOR 15kΩ,1/16W
	R4320	NRSA6AJ-0R0W	MG RESISTOR 0Ω,1/16W		R6117	NRSA6AJ-0R0W	MG RESISTOR 0Ω,1/16W
	R4321	NRSA6AJ-152W	MG RESISTOR 1.5kΩ,1/16W		R6118	NRSA6AJ-102W	MG RESISTOR 1kΩ,1/16W
	R4322	NRVA6AD-111W	CMF RESISTOR 110Ω,1/16W		R6124	NRSA6AJ-102W	MG RESISTOR 1kΩ,1/16W
	R4323	NRVA6AD-101W	CMF RESISTOR 100Ω,1/16W		R6201	NRVA6AD-243W	CMF RESISTOR 24kΩ,1/16W
	R4324	NRSA6AJ-152W	MG RESISTOR 1.5kΩ,1/16W		R6203	NRVA6AD-123W	CMF RESISTOR 12kΩ,1/16W
	R4326	NRSA6AJ-0R0W	MG RESISTOR 0Ω,1/16W		R6204	NRSA6AJ-473W	MG RESISTOR 47kΩ,1/16W
	R4327	NRSA6AJ-152W	MG RESISTOR 1.5kΩ,1/16W		R6205	NRSA6AJ-102W	MG RESISTOR 1kΩ,1/16W
	R4328	NRSA6AJ-0R0W	MG RESISTOR 0Ω,1/16W		R6206	NRVA6AD-183W	CMF RESISTOR 18kΩ,1/16W
	R4329	NRSA6AJ-0R0W	MG RESISTOR 0Ω,1/16W		R6207	NRVA6AD-123W	CMF RESISTOR 12kΩ,1/16W
	R4333	NRSA6AJ-0R0W	MG RESISTOR 0Ω,1/16W		R6208	NRVA6AD-123W	CMF RESISTOR 12kΩ,1/16W
	R4336	NRSA6AJ-0R0W	MG RESISTOR 0Ω,1/16W		R6209	NRVA6AD-153W	CMF RESISTOR 15kΩ,1/16W
	R4337	NRSA6AJ-0R0W	MG RESISTOR,C,D,E 0Ω,1/16W		R6210	NRVA6AD-183W	CMF RESISTOR 18kΩ,1/16W
	R4338	NRSA6AJ-220W	MG RESISTOR 22Ω,1/16W		R6212	NRVA6AD-472W	CMF RESISTOR 4.7kΩ,1/16W
	R4339	NRSA6AJ-0R0W	MG RESISTOR 0Ω,1/16W		R6213	NRSA6AJ-103W	MG RESISTOR 10kΩ,1/16W
	R4340	NRSA6AJ-0R0W	MG RESISTOR 0Ω,1/16W		R6214	NRSA6AJ-152W	MG RESISTOR 1.5kΩ,1/16W
	R4341	NRSA6AJ-0R0W	MG RESISTOR 0Ω,1/16W		R6215	NRSA6AJ-473W	MG RESISTOR 47kΩ,1/16W
	R4343	NRSA6AJ-0R0W	MG RESISTOR 0Ω,1/16W		R6219	NRVA6AD-243W	CMF RESISTOR 24kΩ,1/16W
	R4344	NRSA6AJ-220W	MG RESISTOR,C,D,E 22Ω,1/16W		R6220	NRVA6AD-302W	CMF RESISTOR 3kΩ,1/16W
		NRSA6AJ-0R0W	MG RESISTOR,A,B 0Ω,1/16W		R6221	NRVA6AD-104W	CMF RESISTOR 100kΩ,1/16W
	R4346	NRSA63J-0R0X	MG RESISTOR 0Ω,1/16W		R6223	NRVA6AD-123W	CMF RESISTOR 12kΩ,1/16W
	R4347	NRSA6AJ-223W	MG RESISTOR 22kΩ,1/16W		R6224	NRVA6AD-473W	CMF RESISTOR 47kΩ,1/16W
	R4348	NRSA6AJ-223W	MG RESISTOR 22kΩ,1/16W		R6225	NRVA6AD-562W	CMF RESISTOR 5.6kΩ,1/16W
	R4349	NRSA6AJ-223W	MG RESISTOR 22kΩ,1/16W		R6226	NRVA6AD-223W	CMF RESISTOR 22kΩ,1/16W
	R4350	NRSA6AJ-223W	MG RESISTOR 22kΩ,1/16W		R6227	NRVA6AD-473W	CMF RESISTOR 47kΩ,1/16W
	R4351	NRSA6AJ-223W	MG RESISTOR 22kΩ,1/16W		R6228	NRVA6AD-473W	CMF RESISTOR 47kΩ,1/16W
	R5501	NRSA6AJ-0R0W	MG RESISTOR 0Ω,1/16W		R6229	NRVA6AD-332W	CMF RESISTOR 3.3kΩ,1/16W
	R5503	NRSA6AJ-0R0W	MG RESISTOR 0Ω,1/16W		R6230	NRSA6AJ-272W	MG RESISTOR 2.7kΩ,1/16W
	R5504	NRSA6AJ-0R0W	MG RESISTOR 0Ω,1/16W		R6231	NRVA6AD-104W	CMF RESISTOR 100kΩ,1/16W
	R5505	NRSA6AJ-0R0W	MG RESISTOR 0Ω,1/16W		R6232	NRVA6AD-473W	CMF RESISTOR 47kΩ,1/16W
	R5506	NRSA6AJ-0R0W	MG RESISTOR 0Ω,1/16W		R6233	NRSA6AJ-822W	MG RESISTOR 8.2kΩ,1/16W

#	△ REF No.	PART No.	PART NAME, DESCRIPTION		#	△ REF No.	PART No.	PART NAME, DESCRIPTION	
R6234		NRSA6AJ-273W	MG RESISTOR	27kΩ,1/16W	R8058		NRSA6AJ-103W	MG RESISTOR,C,D,E	10kΩ,1/16W
R6235		NRVA6AD-683W	CMF RESISTOR	68kΩ,1/16W	R8059		NRSA6AJ-473W	MG RESISTOR,C,D,E	47kΩ,1/16W
R6236		NRVA6AD-473W	CMF RESISTOR	47kΩ,1/16W	R8075		NRSA6AJ-0R0W	MG RESISTOR,C,D,E	0Ω,1/16W
R6237		NRVA6AD-753W	CMF RESISTOR	75kΩ,1/16W	R8076		NRSA6AJ-0R0W	MG RESISTOR,C,D,E	0Ω,1/16W
R6238		NRVA6AD-104W	CMF RESISTOR	100kΩ,1/16W	R8077		NRSA6AJ-0R0W	MG RESISTOR,C,D,E	0Ω,1/16W
R6239		NRSA6AJ-103W	MG RESISTOR	10kΩ,1/16W	R8080		NRSA6AJ-103W	MG RESISTOR,C,D,E	10kΩ,1/16W
R6240		NRSA6AJ-333W	MG RESISTOR	33kΩ,1/16W	R8101		NRSA6AJ-473W	MG RESISTOR,C,D,E	47kΩ,1/16W
R6241		NRSA6AJ-102W	MG RESISTOR	1kΩ,1/16W	R8104		NRSA6AJ-473W	MG RESISTOR,C,D,E	47kΩ,1/16W
R6242		NRSA6AJ-104W	MG RESISTOR	100kΩ,1/16W	R8105		NRSA6AJ-473W	MG RESISTOR,C,D,E	47kΩ,1/16W
R6243		NRSA6AJ-823W	MG RESISTOR	82kΩ,1/16W	R8106		NRSA6AJ-221W	MG RESISTOR,C,D,E	220Ω,1/16W
R6247		NRSA6AJ-0R0W	MG RESISTOR	0Ω,1/16W	R8107		NRSA6AJ-221W	MG RESISTOR,C,D,E	220Ω,1/16W
R6249		NRSA6AJ-0R0W	MG RESISTOR	0Ω,1/16W	R8108		NRSA6AJ-473W	MG RESISTOR,C,D,E	47kΩ,1/16W
R6251		NRSA6AJ-0R0W	MG RESISTOR	0Ω,1/16W	R8110		NRSA6AJ-473W	MG RESISTOR,C,D,E	47kΩ,1/16W
R6253		NRSA6AJ-0R0W	MG RESISTOR	0Ω,1/16W	R8115		NRSA6AJ-221W	MG RESISTOR,C,D,E	220Ω,1/16W
R6255		NRSA6AJ-0R0W	MG RESISTOR	0Ω,1/16W	R8116		NRSA6AJ-473W	MG RESISTOR,C,D,E	47kΩ,1/16W
R6257		NRSA6AJ-0R0W	MG RESISTOR	0Ω,1/16W	R8117		NRSA6AJ-473W	MG RESISTOR,C,D,E	47kΩ,1/16W
R6601		NRSA6AJ-822W	MG RESISTOR,C,D,E	8.2kΩ,1/16W	R8118		NRSA6AJ-221W	MG RESISTOR,C,D,E	220Ω,1/16W
R6603		NRVA6AD-683W	CMF RESISTOR,C,D,E	68kΩ,1/16W	R8119		NRSA6AJ-473W	MG RESISTOR,C,D,E	47kΩ,1/16W
R6604		NRVA6AD-104W	CMF RESISTOR,C,D,E	100kΩ,1/16W	R8120		NRSA6AJ-221W	MG RESISTOR,C,D,E	220Ω,1/16W
R6605		NRSA6AJ-184W	MG RESISTOR,C,D,E	180kΩ,1/16W	R8122		NRSA6AJ-105W	MG RESISTOR,C,D,E	1MΩ,1/16W
R6606		NRSA6AJ-823W	MG RESISTOR,C,D,E	82kΩ,1/16W	R8124		NRSA6AJ-472W	MG RESISTOR,C,D,E	4.7kΩ,1/16W
R6611		NRSA6AJ-335W	MG RESISTOR,C,D,E	3.3MΩ,1/16W	R8128		NRSA6AJ-472W	MG RESISTOR,C,D,E	4.7kΩ,1/16W
R6612		NRSA6AJ-474W	MG RESISTOR,C,D,E	470kΩ,1/16W	R8129		NRSA6AJ-105W	MG RESISTOR,C,D,E	1MΩ,1/16W
R6613		NRSA6AJ-473W	MG RESISTOR,C,D,E	47kΩ,1/16W	R8130		NRSA6AJ-101W	MG RESISTOR,C,D,E	100Ω,1/16W
R6614		NRSA6AJ-473W	MG RESISTOR,C,D,E	47kΩ,1/16W	R8131		NRSA6AJ-0R0W	MG RESISTOR,C,D,E	0Ω,1/16W
R6615		NRSA6AJ-474W	MG RESISTOR,C,D,E	470kΩ,1/16W	R8132		NRSA6AJ-680W	MG RESISTOR,C,D,E	68Ω,1/16W
R6616		NRSA6AJ-273W	MG RESISTOR,C,D,E	27kΩ,1/16W	R8133		NRSA6AJ-0R0W	MG RESISTOR,C,D,E	0Ω,1/16W
R6617		NRSA6AJ-333W	MG RESISTOR,C,D,E	33kΩ,1/16W	R8134		NRSA6AJ-0R0W	MG RESISTOR,C,D,E	0Ω,1/16W
R6701		NRZ0058-R20X	MG RESISTOR	0.2Ω,1/2W	R8401		NRSA6AJ-105W	MG RESISTOR,C,D,E	1MΩ,1/16W
R6702		NRVA6AD-104W	CMF RESISTOR	100kΩ,1/16W	R8402		NRS181J-220X	MG RESISTOR,C,D,E	22Ω,1/8W
R6703		NRVA6AD-123W	CMF RESISTOR	12kΩ,1/16W	R8403		NRS181J-220X	MG RESISTOR,C,D,E	22Ω,1/8W
R6712		NRVA6AD-823W	CMF RESISTOR	82kΩ,1/16W	R8404		NRSA6AJ-152W	MG RESISTOR,C,D,E	1.5kΩ,1/16W
R6713		NRVA6AD-333W	CMF RESISTOR	33kΩ,1/16W	R8405		NRSA6AJ-105W	MG RESISTOR,C,D,E	1MΩ,1/16W
R7001		NRSA6AD-183W	MG RESISTOR	18kΩ,1/16W	R8406		NRSA6AJ-153W	MG RESISTOR,C,D,E	15kΩ,1/16W
R7002		NRSA6AD-334W	MG RESISTOR	330kΩ,1/16W	R8407		NRSA6AJ-0R0W	MG RESISTOR,C,D,E	0Ω,1/16W
R7003		NRSA6AJ-224W	MG RESISTOR	220kΩ,1/16W	RA1001		NRZ0034-102W	NETWORK RESISTOR	1kΩ
R7004		NRSA6AJ-393W	MG RESISTOR	39kΩ,1/16W	RA1002		NRZ0034-102W	NETWORK RESISTOR	1kΩ
R8002		NRSA6AJ-100W	MG RESISTOR,C,D,E	10Ω,1/16W	RA1003		NRZ0034-102W	NETWORK RESISTOR	1kΩ
R8004		NRSA6AJ-473W	MG RESISTOR,C,D,E	47kΩ,1/16W	RA1004		NRZ0034-102W	NETWORK RESISTOR	1kΩ
R8007		NRSA6AJ-103W	MG RESISTOR,C,D,E	10kΩ,1/16W	RA1005		NRZ0034-102W	NETWORK RESISTOR	1kΩ
R8008		NRSA6AJ-0R0W	MG RESISTOR,C,D,E	0Ω,1/16W	RA1006		NRZ0034-102W	NETWORK RESISTOR	1kΩ
R8011		NRSA6AJ-0R0W	MG RESISTOR,C,D,E	0Ω,1/16W	RA1007		NRZ0034-102W	NETWORK RESISTOR	1kΩ
R8014		NRSA6AJ-0R0W	MG RESISTOR,C,D,E	0Ω,1/16W	RA1008		NRZ0034-104W	NETWORK RESISTOR	100kΩ
R8015		NRVA6AD-133W	CMF RESISTOR,C,D,E	13kΩ,1/16W	RA1009		NRZ0034-104W	NETWORK RESISTOR	100kΩ
R8016		NRSA6AJ-0R0W	MG RESISTOR,C,D,E	0Ω,1/16W	RA1010		NRZ0034-104W	NETWORK RESISTOR	100kΩ
R8022		NRSA6AJ-101W	MG RESISTOR,C,D,E	100Ω,1/16W	RA1401		NRZ0034-473W	NETWORK RESISTOR	47kΩ
R8023		NRSA6AJ-103W	MG RESISTOR,C,D,E	10kΩ,1/16W	RA1402		NRZ0034-102W	NETWORK RESISTOR,A,B	1kΩ
R8024		NRSA6AJ-101W	MG RESISTOR,C,D,E	100Ω,1/16W	RA1403		NRZ0034-102W	NETWORK RESISTOR	1kΩ
R8027		NRSA6AJ-104W	MG RESISTOR,C,D,E	100kΩ,1/16W	RA4301		NRZ0034-101W	NETWORK RESISTOR	100Ω
R8028		NRSA6AJ-104W	MG RESISTOR,C,D,E	100kΩ,1/16W	RA4302		NRZ0034-101W	NETWORK RESISTOR	100Ω
R8029		NRSA6AJ-104W	MG RESISTOR,C,D,E	100kΩ,1/16W	RA4303		NRZ0034-101W	NETWORK RESISTOR	100Ω
R8033		NRSA6AJ-104W	MG RESISTOR,C,D,E	100kΩ,1/16W	RA4304		NRZ0034-101W	NETWORK RESISTOR,C,D,E	100Ω
R8034		NRSA6AJ-101W	MG RESISTOR,C,D,E	100Ω,1/16W	RA4305		NRZ0034-101W	NETWORK RESISTOR,C,D,E	100Ω
R8035		NRSA6AJ-103W	MG RESISTOR,C,D,E	10kΩ,1/16W	RA4306		NRZ0034-101W	NETWORK RESISTOR,C,D,E	100Ω
R8036		NRSA6AJ-0R0W	MG RESISTOR,C,D,E	0Ω,1/16W	RA4307		NRZ0034-100W	NETWORK RESISTOR,C,D,E	10Ω
R8038		NRSA6AJ-473W	MG RESISTOR,C,D,E	47kΩ,1/16W	RA4308		NRZ0034-100W	NETWORK RESISTOR,C,D,E	10Ω
R8039		NRSA6AJ-101W	MG RESISTOR,C,D,E	100Ω,1/16W	RA4309		NRZ0034-100W	NETWORK RESISTOR,C,D,E	10Ω
R8040		NRSA6AJ-105W	MG RESISTOR,C,D,E	1MΩ,1/16W	RA4310		NRZ0034-100W	NETWORK RESISTOR,C,D,E	10Ω
R8046		NRSA6AJ-103W	MG RESISTOR,C,D,E	10kΩ,1/16W	RA8001		NRZ0034-100W	NETWORK RESISTOR,C,D,E	10Ω
R8047		NRSA6AJ-101W	MG RESISTOR,C,D,E	100Ω,1/16W	RA8002		NRZ0034-100W	NETWORK RESISTOR,C,D,E	10Ω
R8051		NRSA6AJ-473W	MG RESISTOR,C,D,E	47kΩ,1/16W	RA8003		NRZ0034-100W	NETWORK RESISTOR,C,D,E	10Ω
R8056		NRSA6AJ-101W	MG RESISTOR,C,D,E	100Ω,1/16W	RA8004		NRZ0034-100W	NETWORK RESISTOR,C,D,E	10Ω
R8057		NRSA6AJ-103W	MG RESISTOR,C,D,E	10kΩ,1/16W	RA8401		NRZ0034-100W	NETWORK RESISTOR,C,D,E	10Ω

#	△ REF No.	PART No.	PART NAME, DESCRIPTION		#	△ REF No.	PART No.	PART NAME, DESCRIPTION	
	RA8402	NRZ0034-100W	NETWORK RESISTOR,C,D,E	10Ω		C1418	NCBA1CK-223W	CAPACITOR	0.022μF,16V
	RA8403	NRZ0034-100W	NETWORK RESISTOR,C,D,E	10Ω		C1419	NCBA1CK-223W	CAPACITOR	0.022μF,16V
	RA8404	NRZ0034-100W	NETWORK RESISTOR,C,D,E	10Ω		C1420	NCBA1CK-223W	CAPACITOR	0.022μF,16V
	C1001	NBE40JM-226X	T CAPACITOR	22μF,6.3V		C3001	NBE20JM-106X	T CAPACITOR	10μF,6.3V
	C1002	NCFA1AZ-104W	CAPACITOR	0.1μF,10V		C3003	NCB21CK-105X	CAPACITOR	1μF,16V
	C1003	NBE40JM-226X	T CAPACITOR	22μF,6.3V		C3004	NCB21CK-105X	CAPACITOR	1μF,16V
	C1004	NCFA1AZ-104W	CAPACITOR	0.1μF,10V		C3005	NBE20JM-106X	T CAPACITOR	10μF,6.3V
	C1005	NCFA1HZ-103W	CAPACITOR	0.01μF,50V		C3007	NCB11CK-105X	CAPACITOR	1μF,16V
	C1006	NDCA1HJ-130W	CAPACITOR	13pF,50V		C3008	NBE20JM-106X	T CAPACITOR	10μF,6.3V
	C1007	NCFA1HZ-103W	CAPACITOR	0.01μF,50V		C3011	NCBA1AK-104W	CAPACITOR	0.1μF,10V
	C1008	NCFA1HZ-103W	CAPACITOR	0.01μF,50V		C3012	NCBA1AK-104W	CAPACITOR	0.1μF,10V
	C1009	NCFA1HZ-103W	CAPACITOR	0.01μF,50V		C3013	NCBA1CK-103W	CAPACITOR	0.01μF,16V
	C1010	NCFA1HZ-103W	CAPACITOR	0.01μF,50V		C3015	NCBA1CK-103W	CAPACITOR	0.01μF,16V
	C1011	NCFA1HZ-103W	CAPACITOR	0.01μF,50V		C3016	NCBA1AK-104W	CAPACITOR	0.1μF,10V
	C1012	NCFA1HZ-103W	CAPACITOR	0.01μF,50V		C3017	NCBA1AK-104W	CAPACITOR	0.1μF,10V
	C1013	NCFA1HZ-103W	CAPACITOR	0.01μF,50V		C3020	NCBA1AK-104W	CAPACITOR	0.1μF,10V
	C1014	NCFA1HZ-103W	CAPACITOR	0.01μF,50V		C3021	NCBA1AK-104W	CAPACITOR	0.1μF,10V
	C1015	NCFA1HZ-103W	CAPACITOR	0.01μF,50V		C3022	NCBA1AK-104W	CAPACITOR	0.1μF,10V
	C1016	NCFA1HZ-103W	CAPACITOR	0.01μF,50V		C3023	NDCA1HJ-330W	CAPACITOR	33pF,50V
	C1017	NCFA1HZ-103W	CAPACITOR	0.01μF,50V		C3024	NCBA1HK-102W	CAPACITOR	0.001μF,50V
	C1018	NCFA1HZ-103W	CAPACITOR,C,D,E	0.01μF,50V		C3025	NCBA1AK-104W	CAPACITOR	0.1μF,10V
	C1019	NCFA1HZ-103W	CAPACITOR	0.01μF,50V		C3026	NCB30JK-105X	CAPACITOR	1μF,6.3V
	C1023	NCFA1AZ-104W	CAPACITOR	0.1μF,10V		C3027	NCBA1EK-472W	CAPACITOR	0.0047μF,25V
	C1026	NCFA1AZ-104W	CAPACITOR	0.1μF,10V		C3028	NDCA1EJ-271W	CAPACITOR	270pF,25V
	C1027	NCFA1HZ-103W	CAPACITOR	0.01μF,50V		C3029	NCBA1CK-103W	CAPACITOR	0.01μF,16V
	C1028	NCFA1HZ-103W	CAPACITOR	0.01μF,50V		C3030	NCBA1AK-104W	CAPACITOR	0.1μF,10V
	C1029	NCFA1HZ-103W	CAPACITOR	0.01μF,50V		C3031	NCBA1AK-104W	CAPACITOR	0.1μF,10V
	C1030	NCFA1HZ-103W	CAPACITOR	0.01μF,50V		C3032	NCBA1HK-102W	CAPACITOR	0.001μF,50V
	C1031	NCF31AZ-105X	CAPACITOR	1μF,10V		C3033	NDCA1HJ-470W	CAPACITOR	47pF,50V
	C1034	NCBA1CK-103W	CAPACITOR	0.01μF,16V		C3034	NCBA1HK-102W	CAPACITOR	0.001μF,50V
	C1035	NCBA1CK-103W	CAPACITOR	0.01μF,16V		C3035	NDCA1HJ-330W	CAPACITOR,C,D,E	33pF,50V
	C1036	NCBA1CK-103W	CAPACITOR	0.01μF,16V			NDCA1HJ-270W	CAPACITOR,A,B	27pF,50V
	C1037	NCBA1CK-103W	CAPACITOR	0.01μF,16V		C3038	NCBA1AK-104W	CAPACITOR	0.1μF,10V
	C1038	NCBA1CK-103W	CAPACITOR	0.01μF,16V		C3039	NCBA1AK-104W	CAPACITOR	0.1μF,10V
	C1039	NCBA1CK-103W	CAPACITOR	0.01μF,16V		C3040	NCBA1AK-104W	CAPACITOR	0.1μF,10V
	C1040	NCFA1HZ-103W	CAPACITOR	0.01μF,50V		C3041	NCBA1AK-104W	CAPACITOR	0.1μF,10V
	C1101	NCBA1AK-104W	CAPACITOR	0.1μF,10V		C3042	NCBA1CK-103W	CAPACITOR	0.01μF,16V
	C1102	NCBA1CK-223W	CAPACITOR	0.022μF,16V		C3043	NCBA1CK-103W	CAPACITOR	0.01μF,16V
	C1103	NCBA1CK-223W	CAPACITOR	0.022μF,16V		C3044	NCBA1AK-104W	CAPACITOR	0.1μF,10V
	C1111	NCB30JK-105X	CAPACITOR	1μF,6.3V		C3045	NCBA1AK-104W	CAPACITOR	0.1μF,10V
	C1112	NBE90JM-106X	T CAPACITOR	10μF,6.3V		C3046	NCBA1CK-103W	CAPACITOR	0.01μF,16V
	C1113	NBE90JM-106X	T CAPACITOR	10μF,6.3V		C3047	NCBA1AK-104W	CAPACITOR,A,B	0.1μF,10V
	C1301	NCBA1AK-104W	CAPACITOR,A,B	0.1μF,10V		C3050	NCBA1CK-103W	CAPACITOR	0.01μF,16V
	C1302	NCBA1AK-104W	CAPACITOR,A,B	0.1μF,10V		C3051	NCBA1AK-104W	CAPACITOR	0.1μF,10V
	C1303	NCBA1AK-104W	CAPACITOR,A,B	0.1μF,10V		C3052	NCBA1HK-102W	CAPACITOR	0.001μF,50V
	C1304	NCBA1AK-104W	CAPACITOR,A,B	0.1μF,10V		C3053	NCBA1AK-473W	CAPACITOR	0.047μF,10V
	C1305	NCBA1AK-104W	CAPACITOR,A,B	0.1μF,10V		C3056	NCB30JK-105X	CAPACITOR	1μF,6.3V
	C1306	NCBA1AK-104W	CAPACITOR,A,B	0.1μF,10V		C3057	NCBA1CK-103W	CAPACITOR	0.01μF,16V
	C1307	NCBA1AK-104W	CAPACITOR	0.1μF,10V		C3058	NCBA1CK-103W	CAPACITOR	0.01μF,16V
	C1401	NBE90JM-106X	T CAPACITOR	10μF,6.3V		C3060	NCBA1CK-103W	CAPACITOR	0.01μF,16V
	C1402	NBE90JM-106X	T CAPACITOR	10μF,6.3V		C3061	NCB21CK-105X	CAPACITOR	1μF,16V
	C1405	NCFA1AZ-104W	CAPACITOR	0.1μF,10V		C3062	NCBA1AK-104W	CAPACITOR	0.1μF,10V
	C1406	NCFA1AZ-104W	CAPACITOR	0.1μF,10V		C3063	NCBA1AK-104W	CAPACITOR	0.1μF,10V
	C1408	NCFA1AZ-104W	CAPACITOR	0.1μF,10V		C3501	NBE20JM-106X	T CAPACITOR	10μF,6.3V
	C1409	NCFA1AZ-104W	CAPACITOR	0.1μF,10V		C3502	NBE20JM-106X	T CAPACITOR	10μF,6.3V
	C1410	NCFA1AZ-104W	CAPACITOR	0.1μF,10V		C3503	NBE20JM-106X	T CAPACITOR	10μF,6.3V
	C1411	NCFA1AZ-104W	CAPACITOR	0.1μF,10V		C3504	NCBA1AK-473W	CAPACITOR	0.047μF,10V
	C1412	NCFA1AZ-104W	CAPACITOR	0.1μF,10V		C3505	NCBA1CK-223W	CAPACITOR	0.022μF,16V
	C1413	NCFA1AZ-104W	CAPACITOR	0.1μF,10V		C3506	NCB21CK-105X	CAPACITOR	1μF,16V
	C1414	NCBA1CK-103W	CAPACITOR	0.01μF,16V		C3507	NCBA1CK-103W	CAPACITOR	0.01μF,16V
	C1415	NCBA1CK-103W	CAPACITOR	0.01μF,16V		C3508	NCBA1CK-103W	CAPACITOR	0.01μF,16V
	C1416	NCBA1CK-103W	CAPACITOR	0.01μF,16V		C3509	NCBA1CK-103W	CAPACITOR	0.01μF,16V
	C1417	NCBA1CK-223W	CAPACITOR	0.022μF,16V		C3510	NCBA1AK-104W	CAPACITOR	0.1μF,10V

#	△ REF No.	PART No.	PART NAME, DESCRIPTION	#	△ REF No.	PART No.	PART NAME, DESCRIPTION	
C3511		NCBA1CK-103W	CAPACITOR	0.01μF,16V	C4312	NCBA1AK-104W	CAPACITOR	0.1μF,10V
C3512		NCB31CK-104X	CAPACITOR	0.1μF,16V	C4313	NBE20JM-226X	T CAPACITOR	22μF,6.3V
C3513		NCBA1AK-104W	CAPACITOR	0.1μF,10V	C4314	NCBA1AK-104W	CAPACITOR	0.1μF,10V
C3514		NCBA1AK-473W	CAPACITOR	0.047μF,10V	C4315	NBE20JM-106X	T CAPACITOR	10μF,6.3V
C3515		NCBA1AK-473W	CAPACITOR	0.047μF,10V	C4317	NCBA1AK-104W	CAPACITOR	0.1μF,10V
C3516		NCBA1AK-473W	CAPACITOR	0.047μF,10V	C4318	NCBA1AK-104W	CAPACITOR	0.1μF,10V
C3517		NCBA1CK-103W	CAPACITOR	0.01μF,16V	C4319	NCBA1AK-104W	CAPACITOR	0.1μF,10V
C3518		NCBA1CK-103W	CAPACITOR	0.01μF,16V	C4320	NCBA1AK-104W	CAPACITOR	0.1μF,10V
C3519		NCBA1HK-102W	CAPACITOR	0.001μF,50V	C4321	NCBA1AK-104W	CAPACITOR	0.1μF,10V
C3520		NCBA1CK-103W	CAPACITOR	0.01μF,16V	C4323	NCBA1AK-104W	CAPACITOR	0.1μF,10V
C3521		NCBA1AK-104W	CAPACITOR	0.1μF,10V	C4324	NBE20JM-106X	T CAPACITOR	10μF,6.3V
C3522		NCB20JM-475X	CAPACITOR	4.7μF,6.3V	C4325	NCBA1AK-104W	CAPACITOR	0.1μF,10V
C3523		NCBA1CK-103W	CAPACITOR	0.01μF,16V	C4327	NCBA1AK-104W	CAPACITOR	0.1μF,10V
C3524		NCBA1CK-103W	CAPACITOR	0.01μF,16V	C4328	NCBA1AK-104W	CAPACITOR	0.1μF,10V
C3525		NCB20JM-475X	CAPACITOR	4.7μF,6.3V	C4329	NCBA1AK-104W	CAPACITOR	0.1μF,10V
C3526		NCBA1CK-103W	CAPACITOR	0.01μF,16V	C4330	NCBA1AK-104W	CAPACITOR	0.1μF,10V
C3527		NDCA1EJ-221W	CAPACITOR	220pF,25V	C4331	NBE20JM-106X	T CAPACITOR	10μF,6.3V
C3701		NBE20JM-106X	T CAPACITOR	10μF,6.3V	C4332	NCBA1AK-104W	CAPACITOR	0.1μF,10V
C3702		NDCA1EJ-271W	CAPACITOR,C,D,E	270pF,25V	C4333	NCBA1AK-104W	CAPACITOR	0.1μF,10V
		NDCA1HJ-151W	CAPACITOR,A,B	150pF,50V	C4334	NCBA1AK-104W	CAPACITOR	0.1μF,10V
C3703		NDCA1HJ-330W	CAPACITOR,A,B	33pF,50V	C4335	NCBA1AK-104W	CAPACITOR	0.1μF,10V
		NDCA1HJ-680W	CAPACITOR,C,D,E	68pF,50V	C4336	NCBA1AK-104W	CAPACITOR	0.1μF,10V
C3704		NDCA1HJ-101W	CAPACITOR,A,B	100pF,50V	C4337	NCBA1AK-104W	CAPACITOR	0.1μF,10V
		NDCA1HJ-181W	CAPACITOR,C,D,E	180pF,50V	C4338	NCBA1AK-104W	CAPACITOR	0.1μF,10V
C3705		NDCA1HJ-330W	CAPACITOR,A,B	33pF,50V	C4339	NCBA1AK-104W	CAPACITOR	0.1μF,10V
		NDCA1HJ-680W	CAPACITOR,C,D,E	68pF,50V	C4340	NCBA1AK-104W	CAPACITOR	0.1μF,10V
C3706		NCBA1CK-103W	CAPACITOR	0.01μF,16V	C4341	NCBA1AK-104W	CAPACITOR	0.1μF,10V
C3707		NCFA1AZ-104W	CAPACITOR	0.1μF,10V	C4342	NCBA1AK-104W	CAPACITOR	0.1μF,10V
C3708		NCB30JK-105X	CAPACITOR	1μF,6.3V	C4343	NCBA1AK-104W	CAPACITOR	0.1μF,10V
C3709		NCBA1CK-103W	CAPACITOR,A,B	0.01μF,16V	C4344	NCBA1AK-104W	CAPACITOR	0.1μF,10V
C3710		NCBA1CK-103W	CAPACITOR,A,B	0.01μF,16V	C4345	NCBA1AK-104W	CAPACITOR	0.1μF,10V
		NCB30JK-105X	CAPACITOR,C,D,E	1μF,6.3V	C4346	NCBA1AK-104W	CAPACITOR	0.1μF,10V
C3711		NBE20GM-226X	T CAPACITOR,A,B	22μF,4.0V	C4347	NCBA1AK-104W	CAPACITOR	0.1μF,10V
		NBE80JM-106X	T CAPACITOR,C,D,E	10μF,6.3V	C4348	NCBA1AK-104W	CAPACITOR	0.1μF,10V
C3712		NBE40GM-107X	T CAPACITOR	100μF,4.0V	C4349	NCBA1AK-104W	CAPACITOR	0.1μF,10V
C3713		NCBA1CK-103W	CAPACITOR,C,D,E	0.01μF,16V	C4350	NCBA1AK-104W	CAPACITOR	0.1μF,10V
C3714		NCBA1CK-103W	CAPACITOR,C,D,E	0.01μF,16V	C5501	NCBA1AK-104W	CAPACITOR	0.1μF,10V
C4201		NBE40GM-107X	T CAPACITOR	100μF,4.0V	C5503	NCBA1AK-104W	CAPACITOR	0.1μF,10V
C4202		NCBA1AK-104W	CAPACITOR	0.1μF,10V	C5504	NCBA1AK-104W	CAPACITOR	0.1μF,10V
C4203		NCB30JK-105X	CAPACITOR	1μF,6.3V	C5505	NCBA1AK-104W	CAPACITOR	0.1μF,10V
C4204		NCBA1AK-104W	CAPACITOR	0.1μF,10V	C5506	NBE40GM-476X	T CAPACITOR	47μF,4.0V
C4205		NCBA1AK-104W	CAPACITOR	0.1μF,10V	C5507	NCBA1AK-104W	CAPACITOR	0.1μF,10V
C4206		NCB21CK-105X	CAPACITOR	1μF,16V	C5508	NCBA1AK-104W	CAPACITOR	0.1μF,10V
C4207		NCBA1AK-104W	CAPACITOR	0.1μF,10V	C5509	NCBA1AK-104W	CAPACITOR	0.1μF,10V
C4208		NCBA1HK-392W	CAPACITOR	0.0039μF,50V	C5510	NBP21VM-105X	T CAPACITOR	1μF,35V
C4209		NCB30JK-105X	CAPACITOR	1μF,6.3V	C5511	NBP21DM-475X	T CAPACITOR	4.7μF,20V
C4210		NCBA1AK-104W	CAPACITOR	0.1μF,10V	C5512	NBE21AM-106X	T CAPACITOR	10μF,10V
C4211		NCBA1AK-104W	CAPACITOR	0.1μF,10V	C5513	NCB31CK-104X	CAPACITOR	0.1μF,16V
C4212		NCBA1AK-104W	CAPACITOR	0.1μF,10V	C5514	NCBA1AK-104W	CAPACITOR	0.1μF,10V
C4213		NCBA1AK-104W	CAPACITOR	0.1μF,10V	C5515	NCBA1AK-104W	CAPACITOR	0.1μF,10V
C4214		NCBA1AK-104W	CAPACITOR	0.1μF,10V	C5516	NCBA1AK-104W	CAPACITOR	0.1μF,10V
C4215		NCBA1AK-104W	CAPACITOR	0.1μF,10V	C5517	NCB31CK-104X	CAPACITOR	0.1μF,16V
C4216		NCBA1AK-104W	CAPACITOR	0.1μF,10V	C5518	NCBA1AK-104W	CAPACITOR	0.1μF,10V
C4301		NCBA1AK-104W	CAPACITOR	0.1μF,10V	C5519	NCBA1AK-104W	CAPACITOR	0.1μF,10V
C4303		NCBA1AK-104W	CAPACITOR	0.1μF,10V	C6001	NCBA1CK-103W	CAPACITOR	0.01μF,16V
C4304		NCBA1AK-104W	CAPACITOR	0.1μF,10V	C6002	NCFA1AZ-104W	CAPACITOR	0.1μF,10V
C4305		NBE20JM-106X	T CAPACITOR	10μF,6.3V	C6003	NBE20JM-106X	T CAPACITOR	10μF,6.3V
C4306		NCBA1AK-104W	CAPACITOR	0.1μF,10V	C6004	NCB21CK-105X	CAPACITOR	1μF,16V
C4307		NBE20JM-106X	T CAPACITOR	10μF,6.3V	C6005	NDCA1HJ-101W	CAPACITOR	100pF,50V
C4308		NCBA1AK-104W	CAPACITOR	0.1μF,10V	C6101	NCB21CK-105X	CAPACITOR	1μF,16V
C4309		NCBA1AK-104W	CAPACITOR	0.1μF,10V	C6102	NBP41CM-106X	T CAPACITOR	10μF,16V
C4310		NBE20JM-106X	T CAPACITOR	10μF,6.3V	C6103	NCB21CK-105X	CAPACITOR	1μF,16V
C4311		NCB30JK-105X	CAPACITOR	1μF,6.3V	C6105	NCB21CK-105X	CAPACITOR	1μF,16V

#	△ REF No.	PART No.	PART NAME, DESCRIPTION	#	△ REF No.	PART No.	PART NAME, DESCRIPTION
C6106		NCB21CK-105X	CAPACITOR 1μF,16V	C7002		NCB21CK-105X	CAPACITOR 1μF,16V
C6107		NCB21CK-105X	CAPACITOR 1μF,16V	C7003		NCB21AK-225X	CAPACITOR 2.2μF,10V
C6108		NCB21CK-105X	CAPACITOR 1μF,16V	C7004		NBE81AM-106X	T CAPACITOR,C,D,E 10μF,10V
C6109		NCB21CK-105X	CAPACITOR 1μF,16V			NBE21AM-106X	T CAPACITOR,A,B 10μF,10V
C6110		NCBA1AK-104W	CAPACITOR 0.1μF,10V	C8001		NBE90JM-106X	T CAPACITOR,C,D,E 10μF,6.3V
C6111		NCBA1AK-104W	CAPACITOR 0.1μF,10V	C8002		NCBA1CK-103W	CAPACITOR,C,D,E 0.01μF,16V
C6112		NCBA1AK-333W	CAPACITOR 0.033μF,10V	C8003		NCBA1CK-103W	CAPACITOR,C,D,E 0.01μF,16V
C6113		NCBA1HK-561W	CAPACITOR 560pF,50V	C8004		NCBA1CK-103W	CAPACITOR,C,D,E 0.01μF,16V
C6114		NCBA1HK-272W	CAPACITOR 0.0027μF,50V	C8005		NCBA1AK-104W	CAPACITOR,C,D,E 0.1μF,10V
C6115		NCBA1HK-561W	CAPACITOR 560pF,50V	C8006		NCBA1AK-104W	CAPACITOR,C,D,E 0.1μF,10V
C6116		NCBA1CK-103W	CAPACITOR 0.01μF,16V	C8007		NBE20JM-106X	T CAPACITOR,C,D,E 10μF,6.3V
C6117		NCBA1AK-104W	CAPACITOR 0.1μF,10V	C8008		NCB30JK-105X	CAPACITOR,C,D,E 1μF,6.3V
C6118		NCBA1AK-104W	CAPACITOR 0.1μF,10V	C8009		NCBA1AK-104W	CAPACITOR,C,D,E 0.1μF,10V
C6119		NDCA1HJ-101W	CAPACITOR 100pF,50V	C8010		NBE20JM-106X	T CAPACITOR,C,D,E 10μF,6.3V
C6120		NCB11CK-105X	CAPACITOR 1μF,16V	C8011		NCB30JK-105X	CAPACITOR,C,D,E 1μF,6.3V
C6121		NCB31CK-104X	CAPACITOR 0.1μF,16V	C8014		NCB30JK-105X	CAPACITOR,C,D,E 1μF,6.3V
C6122		NCBA1AK-333W	CAPACITOR 0.033μF,10V	C8015		NCBA1AK-104W	CAPACITOR,C,D,E 0.1μF,10V
C6123		NCBA1CK-103W	CAPACITOR 0.01μF,16V	C8017		NCBA1AK-104W	CAPACITOR,C,D,E 0.1μF,10V
C6124		NCBA1CK-103W	CAPACITOR 0.01μF,16V	C8020		NBE20JM-106X	T CAPACITOR,C,D,E 10μF,6.3V
C6125		NCBA1CK-103W	CAPACITOR 0.01μF,16V	C8021		NCBA1CK-103W	CAPACITOR,C,D,E 0.01μF,16V
C6126		NCBA1CK-103W	CAPACITOR 0.01μF,16V	C8022		NCBA1CK-103W	CAPACITOR,C,D,E 0.01μF,16V
C6127		NCBA1HK-102W	CAPACITOR 0.001μF,50V	C8023		NCBA1CK-103W	CAPACITOR,C,D,E 0.01μF,16V
C6128		NCB21CK-105X	CAPACITOR 1μF,16V	C8024		NCBA1CK-103W	CAPACITOR,C,D,E 0.01μF,16V
C6129		NCBA1HK-561W	CAPACITOR 560pF,50V	C8025		NCBA1CK-103W	CAPACITOR,C,D,E 0.01μF,16V
C6130		NCBA1AK-104W	CAPACITOR 0.1μF,10V	C8026		NCBA1CK-103W	CAPACITOR,C,D,E 0.01μF,16V
C6132		NCBA1AK-104W	CAPACITOR 0.1μF,10V	C8027		NCBA1CK-103W	CAPACITOR,C,D,E 0.01μF,16V
C6134		NCBA1AK-104W	CAPACITOR 0.1μF,10V	C8028		NCBA1CK-103W	CAPACITOR,C,D,E 0.01μF,16V
C6201		NCB21CK-105X	CAPACITOR 1μF,16V	C8029		NCBA1CK-103W	CAPACITOR,C,D,E 0.01μF,16V
C6202		NCB10JK-106X	CAPACITOR 10μF,6.3V	C8030		NCBA1CK-103W	CAPACITOR,C,D,E 0.01μF,16V
C6203		NCBA1HK-102W	CAPACITOR 0.001μF,50V	C8031		NCBA1CK-103W	CAPACITOR,C,D,E 0.01μF,16V
C6204		NCBA1HK-561W	CAPACITOR 560pF,50V	C8032		NCBA1CK-103W	CAPACITOR,C,D,E 0.01μF,16V
C6205		NCB21CK-105X	CAPACITOR 1μF,16V	C8033		NCBA1CK-103W	CAPACITOR,C,D,E 0.01μF,16V
C6206		NCB21CK-105X	CAPACITOR 1μF,16V	C8034		NCBA1CK-103W	CAPACITOR,C,D,E 0.01μF,16V
C6207		NCB10JK-106X	CAPACITOR 10μF,6.3V	C8035		NCBA1CK-103W	CAPACITOR,C,D,E 0.01μF,16V
C6208		NCBA1EK-472W	CAPACITOR 0.0047μF,25V	C8036		NCBA1CK-103W	CAPACITOR,C,D,E 0.01μF,16V
C6209		NCB21CK-105X	CAPACITOR 1μF,16V	C8037		NCBA1CK-103W	CAPACITOR,C,D,E 0.01μF,16V
C6210		NCB10JK-106X	CAPACITOR 10μF,6.3V	C8038		NCBA1CK-103W	CAPACITOR,C,D,E 0.01μF,16V
C6211		NCBA1HK-102W	CAPACITOR 0.001μF,50V	C8039		NCBA1CK-103W	CAPACITOR,C,D,E 0.01μF,16V
C6214		NCB21CK-105X	CAPACITOR 1μF,16V	C8040		NCBA1CK-103W	CAPACITOR,C,D,E 0.01μF,16V
C6215		NCB21CK-105X	CAPACITOR 1μF,16V	C8041		NCBA1CK-103W	CAPACITOR,C,D,E 0.01μF,16V
C6216		NCBA1AK-683W	CAPACITOR 0.068μF,10V	C8042		NCBA1CK-103W	CAPACITOR,C,D,E 0.01μF,16V
C6217		NCB21CK-105X	CAPACITOR 1μF,16V	C8043		NCBA1CK-103W	CAPACITOR,C,D,E 0.01μF,16V
C6218		NCB21CK-105X	CAPACITOR 1μF,16V	C8044		NBE20JM-226X	T CAPACITOR,C,D,E 22μF,6.3V
C6219		NCB21CK-224X	CAPACITOR 0.22μF,16V	C8045		NBE20JM-226X	T CAPACITOR,C,D,E 22μF,6.3V
C6220		NCB21CK-105X	CAPACITOR 1μF,16V	C8046		NBE20JM-106X	T CAPACITOR,C,D,E 10μF,6.3V
C6221		NCB11EK-105X	CAPACITOR 1μF,25V	C8048		NBE20JM-226X	T CAPACITOR,C,D,E 22μF,6.3V
C6222		NCB11EK-105X	CAPACITOR 1μF,25V	C8049		NCBA1CK-103W	CAPACITOR,C,D,E 0.01μF,16V
C6224		NCBA1HK-102W	CAPACITOR 0.001μF,50V	C8050		NCBA1CK-103W	CAPACITOR,C,D,E 0.01μF,16V
C6225		NCBA1CK-103W	CAPACITOR 0.01μF,16V	C8051		NBE20JM-226X	T CAPACITOR,C,D,E 22μF,6.3V
C6226		NCB21CK-105X	CAPACITOR 1μF,16V	C8052		NCBA1CK-103W	CAPACITOR,C,D,E 0.01μF,16V
C6227		NCB11EK-105X	CAPACITOR 1μF,25V	C8054		NCB31HK-392X	CAPACITOR,C,D,E 0.0039μF,50V
C6228		NCB11EK-105X	CAPACITOR 1μF,25V	C8056		NCBA1CK-103W	CAPACITOR,C,D,E 0.01μF,16V
C6230		NCB21CK-105X	CAPACITOR 1μF,16V	C8057		NCBA1CK-103W	CAPACITOR,C,D,E 0.01μF,16V
C6601		NCBA1CK-103W	CAPACITOR,C,D,E 0.01μF,16V	C8058		NCBA1AK-104W	CAPACITOR,C,D,E 0.1μF,10V
C6602		NCB21CK-105X	CAPACITOR,C,D,E 1μF,16V	C8059		NCBA1CK-103W	CAPACITOR,C,D,E 0.01μF,16V
C6603		NCBA1HK-102W	CAPACITOR,C,D,E 0.001μF,50V	C8060		NCBA1CK-103W	CAPACITOR,C,D,E 0.01μF,16V
C6604		NCBA1AK-473W	CAPACITOR,C,D,E 0.047μF,10V	C8063		NBE20JM-226X	T CAPACITOR,C,D,E 22μF,6.3V
C6611		NCBA1CK-223W	CAPACITOR,C,D,E 0.022μF,16V	C8064		NBE20JM-226X	T CAPACITOR,C,D,E 22μF,6.3V
C6612		NDCA1EJ-221W	CAPACITOR,C,D,E 220pF,25V	C8065		NBE20JM-226X	T CAPACITOR,C,D,E 22μF,6.3V
C6613		NDCA1EJ-121W	CAPACITOR,C,D,E 120pF,25V	C8101		NBE20JM-106X	T CAPACITOR,C,D,E 10μF,6.3V
C6701		NCB21CK-105X	CAPACITOR 1μF,16V	C8102		NBE20JM-106X	T CAPACITOR,C,D,E 10μF,6.3V
C6703		NCB11CK-105X	CAPACITOR 1μF,16V	C8103		NCBA1CK-103W	CAPACITOR,C,D,E 0.01μF,16V
C7001		NCBA1AK-104W	CAPACITOR 0.1μF,10V	C8104		NCBA1CK-103W	CAPACITOR,C,D,E 0.01μF,16V

#	△ REF No.	PART No.	PART NAME, DESCRIPTION		#	△ REF No.	PART No.	PART NAME, DESCRIPTION	
C8105		NCBA1CK-103W	CAPACITOR,C,D,E	0.01μF,16V	L6202		NQLZ011-390X	COIL	39μH
C8106		NCBA1CK-103W	CAPACITOR,C,D,E	0.01μF,16V	L6203		NQLZ011-390X	COIL	39μH
C8107		NCBA1CK-103W	CAPACITOR,C,D,E	0.01μF,16V	L6204		NQL144K-220X	COIL,C,D,E	22μH
C8108		NCBA1CK-103W	CAPACITOR,C,D,E	0.01μF,16V			NRSA02J-0R0X	MG RESISTOR,A,B	0Ω,1/10W
C8109		NCBA1CK-103W	CAPACITOR,C,D,E	0.01μF,16V	L6206		NQLZ011-470X	COIL	47μH
C8110		NCBA1CK-103W	CAPACITOR,C,D,E	0.01μF,16V	L6207		NQLZ011-470X	COIL	47μH
C8111		NCBA1CK-103W	CAPACITOR,C,D,E	0.01μF,16V	L6208		NQLZ011-221X	COIL	220μH
C8112		NCBA1CK-103W	CAPACITOR,C,D,E	0.01μF,16V	L6209		NQL144K-221X	COIL	220μH
C8113		NCBA1CK-103W	CAPACITOR,C,D,E	0.01μF,16V	L6210		NQL144K-220X	COIL	22μH
C8114		NCBA1CK-103W	CAPACITOR,C,D,E	0.01μF,16V	L6601		NQR0006-001X	FERRITE BEAD,C,D,E	
C8115		NCBA1CK-103W	CAPACITOR,C,D,E	0.01μF,16V	L6701		NQLZ007-100X	COIL	10μH
C8116		NCBA1CK-103W	CAPACITOR,C,D,E	0.01μF,16V	L7001		NQL04DK-100X	COIL,A,B	10μH
C8117		NDCA1HJ-5R0W	CAPACITOR,C,D,E	5pF,50V			NQL402M-100X	COIL,C,D,E	10μH
C8118		NDCA1HJ-5R0W	CAPACITOR,C,D,E	5pF,50V	L7002		NQL315K-100X	COIL,A,B	10μH
C8119		NCBA1CK-103W	CAPACITOR,C,D,E	0.01μF,16V			NQL402M-100X	COIL,C,D,E	10μH
C8401		NBE20JM-106X	T CAPACITOR,C,D,E	10μF,6.3V	L8001		NQR0129-002X	FERRITE BEAD,C,D,E	
C8402		NCBA1AK-104W	CAPACITOR,C,D,E	0.1μF,10V	L8002		NQR0129-002X	FERRITE BEAD,C,D,E	
C8403		NCBA1AK-104W	CAPACITOR,C,D,E	0.1μF,10V	L8003		NQR0129-002X	FERRITE BEAD,C,D,E	
C8404		NCBA1AK-104W	CAPACITOR,C,D,E	0.1μF,10V	L8005		NQR0129-002X	FERRITE BEAD,C,D,E	
C8405		NBE20JM-106X	T CAPACITOR,C,D,E	10μF,6.3V	L8006		NQR0129-002X	FERRITE BEAD,C,D,E	
L1001		NQL315K-100X	COIL	10μH	L8007		NQR0129-002X	FERRITE BEAD,C,D,E	
L1002		NQL315K-100X	COIL	10μH	L8008		NQR0129-002X	FERRITE BEAD,C,D,E	
L1101		NQL402M-100X	COIL	10μH	L8010		NQR0129-002X	FERRITE BEAD,C,D,E	
L1401		NQR0006-001X	FERRITE BEAD		L8011		NQR0129-002X	FERRITE BEAD,C,D,E	
L1402		NRSA02J-0R0X	MG RESISTOR	0Ω,1/10W	L8012		NQR0129-002X	FERRITE BEAD,C,D,E	
L3001		NQR0006-001X	FERRITE BEAD		L8101		NQR0006-001X	FERRITE BEAD,C,D,E	
L3002		NQR0129-002X	FERRITE BEAD		L8102		NQR0006-001X	FERRITE BEAD,C,D,E	
L3003		NQR0129-002X	FERRITE BEAD		L8401		NQR0006-001X	FERRITE BEAD,C,D,E	
L3004		NQR0006-001X	FERRITE BEAD		L8402		NQR0006-001X	FERRITE BEAD,C,D,E	
L3005		NQR0129-002X	FERRITE BEAD		X1001		NAX0474-001X	C OSCILLATOR	
L3006		NQR0006-001X	FERRITE BEAD		X1002		NAX0325-001X	CRYSTAL RESONATOR	
L3007		NQL085J-2R2X	COIL	2.2μH	X5501		NAX0356-001X	CXO	
L3008		NQL085J-120X	COIL	12μH	X8002		NAX0354-001X	RESONATOR,C,D,E	
L3009		NQL085J-120X	COIL	12μH	X8101		NAX0402-001X	CRYSTAL RESONATOR,C,D,E	
L3010		NQR0384-003X	COIL,A,B		X8401		NAX0398-001X	C OSCILLATOR,C,D,E	
L3011		NQR0384-003X	COIL,A,B		S1001		NSW0132-001X	DETECT SWITCH,MONITOR SW	
L3012		NQR0006-001X	FERRITE BEAD		S6001		NSW0018-001X	SLIDE SWITCH,CPU ROM,A,B	
L3013		NQR0006-001X	FERRITE BEAD		FW1		QAL0246-002	FPC,BATTERY TERMINAL	
L3501		NQR0129-002X	FERRITE BEAD		FW2		QAL0303-001	FPC,CN103-JACK CN901	
L3502		NQL302N-100X	COIL,A,B	10μH	TB1		LY31799-001A	BATTERY TERMINAL	
		NQL402M-100X	COIL,C,D,E	10μH	J101		NNZ0028-001	D CONNECTOR	
L3503		NQR0006-001X	FERRITE BEAD		CN101		QGB0405L1-80X	CONNECTOR	
L3504		NQR0006-001X	FERRITE BEAD		CN102		QGB0405L1-80X	CONNECTOR	
L3505		NQR0006-001X	FERRITE BEAD		CN103		QGF0507F3-18X	FFC/FPC CONNECTOR	
L3701		NQL315K-100X	COIL,A,B	10μH	CN104		QGA1001F1-03X	CONNECTOR	
		NQL38DK-100X	COIL,C,D,E	10μH	CN105		QGB0506L1-20X	CONNECTOR	
L4201		NQR0129-002X	FERRITE BEAD		CN106		QGF0301F1-45X	FPC CONNECTOR	
L4301		NQR0129-002X	FERRITE BEAD		CN107		QGF0503F2-20X	FFC/FPC CONNECTOR	
L4302		NQR0129-002X	FERRITE BEAD		CN109		QGF0517F1-12X	FPC CONNECTOR,C,D,E	
L4303		NQL315K-100X	COIL	10μH	CN110		QGF0513F1-08X	FPC CONNECTOR	
L4304		NQL315K-220X	COIL	22μH	CN111		QGF0513F2-06X	FPC CONNECTOR	
L4305		NQR0129-002X	FERRITE BEAD		CN112		QGF0507F3-16X	FFC/FPC CONNECTOR	
L4306		NQR0129-002X	FERRITE BEAD		△ F6101		NMFZ007-2R0X-K	FUSE	T2.0A
L4307		NQL315K-100X	COIL	10μH	OT1		LY30029-079A	SPACER(A),A,B	
L5501		NQL315K-100X	COIL	10μH			LY30029-0G1B	SPACER(A),C,D,E	
L5502		NQR0129-002X	FERRITE BEAD		OT2		LY30029-0J1A	SPACER(A)	
L5503		NQR0129-002X	FERRITE BEAD		OT3		LY30029-039A	SPACER(A)	
L5504		NQR0129-002X	FERRITE BEAD		OT4		LY30029-0F9A	SPACER(A),X2	
L5505		NQL315K-100X	COIL	10μH	OT5		LY30029-0E1B	SPACER(A),A,B	
L5506		NQL315K-100X	COIL	10μH			LY30029-0G2B	SPACER(A),C,D,E	
L6101		NQLZ011-4R7X	COIL	4.7μH	OT6		LY30029-0E2A	SPACER(A)	
L6102		NQLZ011-4R7X	COIL	4.7μH	OT7		LY43181-001A	SHIELD SHEET	
L6201		NQLZ011-390X	COIL	39μH	SD1		LY31714-001A	SHIELD CASE	
					SD2		LY43131-001A	SHIELD PLATE,C,D,E	

#	△ REF No.	PART No.	PART NAME, DESCRIPTION

MDA BOARD ASSEMBLY <02>			
PW1		YB10320A1-02	MDA BOARD ASSY,C,D,E
		YB10320B1-02	MDA BOARD ASSY,A,B
IC1601		BD6630KV	IC
IC1801		RS-171-X	IC(PHOTO SENSOR)
IC4802		TA75W01FU	IC
IC4803		TA75W01FU	IC
IC4804		UPC358G2/5/-W	IC
IC4806		TC7W00FU	IC(DIGITAL)
IC4807		TC7W66FU	IC(DIGITAL),C,D,E
IC4851		UPD16879GS	IC
Q1601		UMC3N	TRANSISTOR
Q4801		2SC4655/BC/-X	TRANSISTOR
Q4802		2SC4617/RS/-X	TRANSISTOR,C,D,E
Q4803		DTC144EE	TRANSISTOR,C,D,E
		or PDTC144EE	TRANSISTOR,C,D,E
		or UN9213J	TRANSISTOR,C,D,E
		or RN1104	TRANSISTOR,C,D,E
Q4804		DTA144EE	TRANSISTOR,C,D,E
		or PDTA144EE	TRANSISTOR,C,D,E
		or UN9113J	TRANSISTOR,C,D,E
		or RN2104	TRANSISTOR,C,D,E
Q4805		DTA143EE	TRANSISTOR,C,D,E
		or UN911LJ	TRANSISTOR,C,D,E
		or RN2101	TRANSISTOR,C,D,E
Q4851		2SC4617/RS/-X	TRANSISTOR
D1602		DAP222	DIODE
D1603		DAP222	DIODE
D1604		DAP222	DIODE
D1801		TLSU1002/LM/-X	LE DIODE
R1091		NRSA6AJ-682W	MG RESISTOR,C,D,E 6.8kΩ,1/16W
R1092		NRSA6AJ-392W	MG RESISTOR,C,D,E 3.9kΩ,1/16W
R1093		NRSA6AJ-272W	MG RESISTOR,C,D,E 2.7kΩ,1/16W
R1094		NRSA6AJ-182W	MG RESISTOR,C,D,E 1.8kΩ,1/16W
R1095		NRSA6AJ-152W	MG RESISTOR,C,D,E 1.5kΩ,1/16W
R1096		NRSA6AJ-103W	MG RESISTOR,C,D,E 10kΩ,1/16W
R1601		NRSA6AJ-681W	MG RESISTOR 680Ω,1/16W
R1602		NRSA6AJ-124W	MG RESISTOR 120kΩ,1/16W
R1603		NRSA6AJ-472W	MG RESISTOR 4.7kΩ,1/16W
R1604		NRSA6AJ-104W	MG RESISTOR 100kΩ,1/16W
R1605		NRV142F-R22X	CMF RESISTOR 0.22Ω,1/4W
R1606		NRSA6AJ-103W	MG RESISTOR 10kΩ,1/16W
R1608		NRSA02J-0R0X	MG RESISTOR 0Ω,1/10W
R1609		NRV142F-R33X	CMF RESISTOR 0.33Ω,1/4W
R1610		NRSA6AJ-471W	MG RESISTOR 470Ω,1/16W
R1611		NRSA6AJ-471W	MG RESISTOR 470Ω,1/16W
R1612		NRSA6AJ-104W	MG RESISTOR 100kΩ,1/16W
R1613		NRSA6AJ-102W	MG RESISTOR 1kΩ,1/16W
R1614		NRSA6AJ-682W	MG RESISTOR 6.8kΩ,1/16W
R1615		NRSA6AJ-103W	MG RESISTOR 10kΩ,1/16W
R1616		NRSA6AJ-391W	MG RESISTOR 390Ω,1/16W
R1617		NRSA6AJ-224W	MG RESISTOR 220kΩ,1/16W
R1618		NRSA6AJ-154W	MG RESISTOR 150kΩ,1/16W
R1619		NRSA6AJ-223W	MG RESISTOR 22kΩ,1/16W
R1620		NRSA6AJ-103W	MG RESISTOR 10kΩ,1/16W
R1621		NRSA6AJ-103W	MG RESISTOR 10kΩ,1/16W
R1622		NRSA6AJ-103W	MG RESISTOR 10kΩ,1/16W
R1624		NRVA6AD-123W	CMF RESISTOR 12kΩ,1/16W
R1625		NRSA6AJ-181W	MG RESISTOR 180Ω,1/16W
R1626		NRSA6AJ-181W	MG RESISTOR 180Ω,1/16W

#	△ REF No.	PART No.	PART NAME, DESCRIPTION
R1628		NRVA6AD-361W	CMF RESISTOR 360Ω,1/16W
R1629		NRSA6AJ-684W	MG RESISTOR 680kΩ,1/16W
R1630		NRSA6AJ-0R0W	MG RESISTOR 0Ω,1/16W
R1631		NRSA6AJ-0R0W	MG RESISTOR 0Ω,1/16W
R1635		NRSA6AJ-472W	MG RESISTOR 4.7kΩ,1/16W
R1636		NRSA6AJ-103W	MG RESISTOR 10kΩ,1/16W
R1637		NRSA6AJ-124W	MG RESISTOR 120kΩ,1/16W
R1802		NRSA6AJ-470W	MG RESISTOR 47Ω,1/16W
R4804		NRVA6AD-331W	CMF RESISTOR 330Ω,1/16W
R4805		NRSA6AJ-103W	MG RESISTOR 10kΩ,1/16W
R4806		NRSA6AJ-683W	MG RESISTOR 68kΩ,1/16W
R4807		NRSA6AJ-563W	MG RESISTOR 56kΩ,1/16W
R4808		NRSA6AJ-243W	MG RESISTOR 24kΩ,1/16W
R4809		NRSA6AJ-561W	MG RESISTOR 560Ω,1/16W
R4810		NRSA6AJ-103W	MG RESISTOR 10kΩ,1/16W
R4811		NRSA6AJ-684W	MG RESISTOR 680kΩ,1/16W
R4812		NRSA6AJ-153W	MG RESISTOR 15kΩ,1/16W
R4814		NRSA6AJ-105W	MG RESISTOR 1MΩ,1/16W
R4815		NRSA6AJ-472W	MG RESISTOR 4.7kΩ,1/16W
R4816		NRSA6AJ-105W	MG RESISTOR 1MΩ,1/16W
R4817		NRSA6AJ-334W	MG RESISTOR 330kΩ,1/16W
R4818		NRSA6AJ-154W	MG RESISTOR 150kΩ,1/16W
R4819		NRSA6AJ-103W	MG RESISTOR 10kΩ,1/16W
R4820		NRSA6AJ-104W	MG RESISTOR 100kΩ,1/16W
R4821		NRSA6AJ-104W	MG RESISTOR 100kΩ,1/16W
R4822		NRSA6AJ-333W	MG RESISTOR 33kΩ,1/16W
R4823		NRSA6AJ-102W	MG RESISTOR 1kΩ,1/16W
R4824		NRSA6AJ-472W	MG RESISTOR 4.7kΩ,1/16W
R4825		NRSA6AJ-222W	MG RESISTOR,C,D,E 2.2kΩ,1/16W
R4826		NRSA6AJ-473W	MG RESISTOR,C,D,E 47kΩ,1/16W
R4827		NRSA6AJ-0R0W	MG RESISTOR 0Ω,1/16W
R4828		NRSA6AJ-0R0W	MG RESISTOR 0Ω,1/16W
R4833		NRSA6AJ-104W	MG RESISTOR 100kΩ,1/16W
R4836		NRSA6AJ-102W	MG RESISTOR 1kΩ,1/16W
R4837		NRSA6AJ-0R0W	MG RESISTOR,C,D,E 0Ω,1/16W
R4839		NRSA6AJ-0R0W	MG RESISTOR,C,D,E 0Ω,1/16W
R4840		NRSA6AJ-0R0W	MG RESISTOR,C,D,E 0Ω,1/16W
R4841		NRSA6AJ-0R0W	MG RESISTOR,A,B 0Ω,1/16W
R4842		NRSA6AJ-0R0W	MG RESISTOR,A,B 0Ω,1/16W
R4846		NRSA6AJ-0R0W	MG RESISTOR,C,D,E 0Ω,1/16W
R4849		NRSA6AJ-0R0W	MG RESISTOR,C,D,E 0Ω,1/16W
R4854		NRSA6AJ-0R0W	MG RESISTOR 0Ω,1/16W
R4856		NRSA63J-6R8X	MG RESISTOR 6.8Ω,1/16W
R4857		NRSA63J-6R8X	MG RESISTOR 6.8Ω,1/16W
R4858		NRSA6AJ-333W	MG RESISTOR 33kΩ,1/16W
R4859		NRSA6AJ-0R0W	MG RESISTOR 0Ω,1/16W
R4860		NRSA6AJ-0R0W	MG RESISTOR 0Ω,1/16W
R4862		NRSA63J-6R8X	MG RESISTOR 6.8Ω,1/16W
R4863		NRSA63J-6R8X	MG RESISTOR 6.8Ω,1/16W
R4864		NRSA6AJ-102W	MG RESISTOR 1kΩ,1/16W
R4865		NRSA6AJ-102W	MG RESISTOR 1kΩ,1/16W
R4866		NRSA6AJ-102W	MG RESISTOR 1kΩ,1/16W
R4867		NRSA6AJ-102W	MG RESISTOR 1kΩ,1/16W
R4868		NRSA6AJ-0R0W	MG RESISTOR 0Ω,1/16W
R4870		NRSA6AJ-271W	MG RESISTOR 270Ω,1/16W
R4871		NRSA6AJ-0R0W	MG RESISTOR 0Ω,1/16W
R4874		NRSA6AJ-0R0W	MG RESISTOR 0Ω,1/16W
C1601		NCBA1CK-103W	CAPACITOR 0.01μF,16V
C1602		NBE21AM-106X	T CAPACITOR 10μF,10V
C1603		NBE21AM-106X	T CAPACITOR 10μF,10V
C1605		NCBA1AK-104W	CAPACITOR 0.1μF,10V
C1606		NCBA1HK-152W	CAPACITOR 0.0015μF,50V
C1607		NCBA1AK-473W	CAPACITOR 0.047μF,10V

#	△ REF No.	PART No.	PART NAME, DESCRIPTION
C1614		NBE21AM-106X	T CAPACITOR 10μF,10V
C1618		NCBA1HK-222W	CAPACITOR 0.0022μF,50V
C1619		NCBA1HK-222W	CAPACITOR 0.0022μF,50V
C1620		NCBA1HK-222W	CAPACITOR 0.0022μF,50V
C1621		NCB21AK-105X	CAPACITOR 1μF,10V
C1622		NCBA1CK-223W	CAPACITOR 0.022μF,16V
C1623		NCBA1AK-473W	CAPACITOR 0.047μF,10V
C1624		NCB31EK-103X	CAPACITOR 0.01μF,25V
C1625		NCBA1AK-473W	CAPACITOR 0.047μF,10V
C1626		NCBA1HK-331W	CAPACITOR 330pF,50V
C1627		NCBA1CK-822W	CAPACITOR 0.0082μF,16V
C1628		NCB21CK-224X	CAPACITOR 0.22μF,16V
C1632		NBE21AM-106X	T CAPACITOR 10μF,10V
C1633		NCF21CZ-684X	CAPACITOR 0.68μF,16V
C1635		NCBA1AK-104W	CAPACITOR 0.1μF,10V
C1641		NCB31AK-474X	CAPACITOR 0.47μF,10V
C1801		NBE21AM-106X	T CAPACITOR 10μF,10V
C4803		NBE20JM-106X	T CAPACITOR 10μF,6.3V
C4804		NCFA1AZ-104W	CAPACITOR 0.1μF,10V
C4805		NCFA1AZ-104W	CAPACITOR 0.1μF,10V
C4806		NCFA1AZ-104W	CAPACITOR 0.1μF,10V
C4808		NCB30JK-105X	CAPACITOR 1μF,6.3V
C4809		NCFA1AZ-104W	CAPACITOR 0.1μF,10V
C4810		NCFA1HZ-103W	CAPACITOR 0.01μF,50V
C4811		NCFA1HZ-103W	CAPACITOR 0.01μF,50V
C4812		NCFA1AZ-104W	CAPACITOR 0.1μF,10V
C4813		NCFA1AZ-104W	CAPACITOR 0.1μF,10V
C4814		NCFA1AZ-104W	CAPACITOR 0.1μF,10V
C4815		NCB31HK-152X	CAPACITOR 0.0015μF,50V
C4819		NCF31CZ-104X	CAPACITOR 0.1μF,16V
C4851		NBE20JM-106X	T CAPACITOR 10μF,6.3V
C4852		NCFA1AZ-104W	CAPACITOR 0.1μF,10V
C4853		NBE21AM-335X	T CAPACITOR 3.3μF,10V
C4854		NBE21AM-106X	T CAPACITOR 10μF,10V
C4855		NCB31CK-104X	CAPACITOR 0.1μF,16V
C4858		NDCA1HJ-680W	CAPACITOR 68pF,50V
C4859		NCBA1HK-102W	CAPACITOR 0.001μF,50V
C4860		NCBA1HK-102W	CAPACITOR 0.001μF,50V
C4861		NCBA1HK-102W	CAPACITOR 0.001μF,50V
C4862		NCBA1HK-102W	CAPACITOR 0.001μF,50V
C4864		NBE20JM-106X	T CAPACITOR 10μF,6.3V
C4865		NCBA1AK-104W	CAPACITOR 0.1μF,10V
L4802		NQL302N-100X	COIL 10μH
L4851		NQR0129-002X	FERRITE BEAD
L4852		NQL315K-100X	COIL 10μH
L4853		NQL315K-100X	COIL 10μH
CN201		QGF0505F2-06X	FPC CONNECTOR
CN202		QGF0505F2-11X	FPC CONNECTOR
CN203		QGF0505F2-18X	FPC CONNECTOR
CN204		QGF0507F3-15X	FFC/FPC CONNECTOR
CN205		QGF0508F1-24X	FPC CONNECTOR
CN206		QGB0405M1-80X	CONNECTOR
CN207		QGF0505F2-07X	FPC CONNECTOR,C,D,E
CN208		QGF0508F1-20X	FPC CONNECTOR

#	△ REF No.	PART No.	PART NAME, DESCRIPTION

CCD BOARD ASSEMBLY <03>

PW	YB10322A-01	CCD BOARD ASSY,C,D,E
	YB10322B-01	CCD BOARD ASSY,A,B
Q5001	2SC3931/CD/-X	TRANSISTOR
Q5002	2SC4081/RS/-X	TRANSISTOR,C,D,E
R5001	NRSA02J-472X	MG RESISTOR 4.7kΩ,1/10W
R5002	NRSA02J-0R0X	MG RESISTOR 0Ω,1/10W
R5003	NRSA02J-104X	MG RESISTOR 100kΩ,1/10W
R5005	NRSA02J-472X	MG RESISTOR,C,D,E 4.7kΩ,1/10W
C5001	NCB21CK-104X	CAPACITOR 0.1μF,16V
C5002	NBP41DM-106X	T CAPACITOR 10μF,20V
C5003	NCB21CK-104X	CAPACITOR 0.1μF,16V
C5004	NBE21AM-106X	T CAPACITOR 10μF,10V
C5005	NCB11EK-104X	CAPACITOR 0.1μF,25V
C5006	NCB21CK-104X	CAPACITOR 0.1μF,16V
C5007	NCB21HK-222X	CAPACITOR 0.0022μF,50V
C5011	NCB21CK-105X	CAPACITOR 1μF,16V
L5001	NQL315K-100X	COIL

MONITOR BOARD ASSEMBLY <04>

PW	YB10321B-01	MONITOR BOARD ASSY
IC7601	AN2540FHQ	IC
IC7602	BA15532F	IC
IC7603	X25057M8-2.7-X	IC
IC7604	SN74LV08APW	IC
IC7606	MM1385HN	IC
Q7501	FP211	PAIR TRANSISTOR
Q7503	DTA144EE	TRANSISTOR
Q7504	2SC4617/QR/-X	TRANSISTOR
Q7601	2SC4617/QR/-X	TRANSISTOR
Q7602	2SA1774/QR/-X	TRANSISTOR
Q7603	2SC4617/QR/-X	TRANSISTOR
Q7604	2SA1774/QR/-X	TRANSISTOR
Q7608	DTC144EE	TRANSISTOR
Q7609	DTC144EE	TRANSISTOR
Q7610	DTA144EE	TRANSISTOR
D7601	RB471E	SB DIODE
R7501	NRSA6AJ-102W	MG RESISTOR 1kΩ,1/16W
R7502	NRSA6AJ-102W	MG RESISTOR 1kΩ,1/16W
R7503	NRSA6AJ-102W	MG RESISTOR 1kΩ,1/16W
R7506	NRSA6AJ-473W	MG RESISTOR 47kΩ,1/16W
R7507	NRSA6AJ-473W	MG RESISTOR 47kΩ,1/16W
R7601	NRVA6AD-622W	CMF RESISTOR 6.2kΩ,1/16W
R7602	NRSA6AJ-153W	MG RESISTOR 15kΩ,1/16W
R7603	NRSA6AJ-223W	MG RESISTOR 22kΩ,1/16W
R7608	NRSA6AJ-153W	MG RESISTOR 15kΩ,1/16W
R7609	NRVA6AD-223W	CMF RESISTOR 22kΩ,1/16W
R7610	NRVA6AD-433W	CMF RESISTOR 43kΩ,1/16W
R7611	NRVA6AD-821W	CMF RESISTOR 820Ω,1/16W
R7612	NRVA6AD-223W	CMF RESISTOR 22kΩ,1/16W
R7613	NRVA6AD-223W	CMF RESISTOR 22kΩ,1/16W
R7614	NRVA6AD-223W	CMF RESISTOR 22kΩ,1/16W
R7615	NRSA6AJ-223W	MG RESISTOR 22kΩ,1/16W

#	△ REF No.	PART No.	PART NAME, DESCRIPTION
R7616		NRSA6AJ-223W	MG RESISTOR 22kΩ,1/16W
R7617		NRSA02J-561X	MG RESISTOR 560Ω,1/10W
R7618		NRSA02J-561X	MG RESISTOR 560Ω,1/10W
R7630		NRSA6AJ-223W	MG RESISTOR 22kΩ,1/16W
R7631		NRSA6AJ-335W	MG RESISTOR 3.3MΩ,1/16W
R7633		NRSA6AJ-0R0W	MG RESISTOR 0Ω,1/16W
R7635		NRSA6AJ-0R0W	MG RESISTOR 0Ω,1/16W
C7501		NCZ1016-120X	CAPACITOR 12pF,2kV
C7502		NCZ1016-150X	CAPACITOR 15pF,2kV
C7503		NFV41HJ-273X	MPPS CAPACITOR 0.027μF,50V
C7504		NCB31EK-103X	CAPACITOR 0.01μF,25V
C7505		NBE20JM-226X	T CAPACITOR 22μF,6.3V
C7601		NCB30JK-105X	CAPACITOR 1μF,6.3V
C7602		NCBA1CK-103W	CAPACITOR 0.01μF,16V
C7603		NCZ1028-225X	CAPACITOR 2.2μF,10V
C7604		NCZ1028-225X	CAPACITOR 2.2μF,10V
C7605		NCZ1028-225X	CAPACITOR 2.2μF,10V
C7606		NCB31CK-104X	CAPACITOR 0.1μF,16V
C7607		NBP41CM-106X	T CAPACITOR 10μF,16V
C7608		NCB31EK-103X	CAPACITOR 0.01μF,25V
C7609		NCB31CK-104X	CAPACITOR 0.1μF,16V
C7610		NCZ1028-225X	CAPACITOR 2.2μF,10V
C7611		NCZ1028-225X	CAPACITOR 2.2μF,10V
C7612		NCZ1028-225X	CAPACITOR 2.2μF,10V
C7613		NBE20JM-225X	T CAPACITOR 2.2μF,6.3V
C7614		NCBA1HK-152W	CAPACITOR 0.0015μF,50V
C7615		NCBA1CK-103W	CAPACITOR 0.01μF,16V
C7616		NCB31HK-102X	CAPACITOR 0.001μF,50V
C7617		NCBA1CK-103W	CAPACITOR 0.01μF,16V
C7618		NCB10JK-106X	CAPACITOR 10μF,6.3V
C7619		NCB10JK-106X	CAPACITOR 10μF,6.3V
C7620		NCBA1CK-103W	CAPACITOR 0.01μF,16V
C7621		NCB30JK-105X	CAPACITOR 1μF,6.3V
C7622		NCB30JK-105X	CAPACITOR 1μF,6.3V
C7623		NBE21AM-106X	T CAPACITOR 10μF,10V
C7624		NCBA1CK-103W	CAPACITOR 0.01μF,16V
C7626		NCBA1AK-104W	CAPACITOR 0.1μF,10V
C7627		NCBA1AK-104W	CAPACITOR 0.1μF,10V
C7628		NBP41EM-475X	T CAPACITOR 4.7μF,25V
C7629		NBP21CM-335X	T CAPACITOR 3.3μF,16V
C7630		NBP41EM-475X	T CAPACITOR 4.7μF,25V
C7631		NCB31EK-103X	CAPACITOR 0.01μF,25V
C7632		NCB11CK-225X	CAPACITOR 2.2μF,16V
C7633		NCB31EK-103X	CAPACITOR 0.01μF,25V
C7634		NBE90JM-106X	T CAPACITOR 10μF,6.3V
C7635		NCBA1CK-103W	CAPACITOR 0.01μF,16V
C7637		NCBA1CK-103W	CAPACITOR 0.01μF,16V
C7641		NCFA1AZ-104W	CAPACITOR 0.1μF,10V
C7643		NBE90JM-106X	T CAPACITOR 10μF,6.3V
C7646		NCFA1AZ-104W	CAPACITOR 0.1μF,10V
C7647		NCBA1CK-103W	CAPACITOR 0.01μF,16V
C7648		NCF21CZ-105X	CAPACITOR 1μF,16V
L7501		NQL54EM-680X	COIL 68μH
L7502		NQL54EM-220X	COIL 22μH
L7601		NQL04DK-220X	COIL 22μH
L7602		NQL04DK-220X	COIL 22μH
L7604		NQL04DK-220X	COIL 22μH
L7605		NQL04DK-220X	COIL 22μH
L7606		NQL04DK-220X	COIL 22μH
L7607		NQL04DK-220X	COIL 22μH
T7501		NQS0050-001X	SW TRANSF
CN761		QGF0304F1-39X	FFC/FPC CONNECTOR
CN762		QGF0517F1-24X	FPC CONNECTOR

#	△ REF No.	PART No.	PART NAME, DESCRIPTION
△ F7501		NMFZ009-R375XJ1	FUSE T0.37A
OT1		LY43044-001A	SHEET(SHIELD)
OT2		LY30029-0E3A	SPACER(A)
OT3		LY30029-0E9A	SPACER(A)
OT4		LY30029-0G6A	SPACER(A)

JUNCTION BOARD ASSEMBLY <06>			
PW2		YB10323A2-01	JUNCTION BOARD ASSY,C,D,E
		YB10323B2-01	JUNCTION BOARD ASSY,A,B
D8501		EMZ6.8N	ZENER DIODE,C,D,E
R8501		NRSA63J-0R0X	MG RESISTOR,C,D,E 0Ω,1/16W
R8502		NRSA63J-0R0X	MG RESISTOR,C,D,E 0Ω,1/16W
R8503		NRSA63J-0R0X	MG RESISTOR,C,D,E 0Ω,1/16W
R8504		NRSA63J-0R0X	MG RESISTOR,C,D,E 0Ω,1/16W
R8505		NRSA63J-473X	MG RESISTOR,C,D,E 47kΩ,1/16W
R8506		NRSA63J-103X	MG RESISTOR,C,D,E 10kΩ,1/16W
R8507		NRSA63J-103X	MG RESISTOR,C,D,E 10kΩ,1/16W
R8508		NRSA63J-473X	MG RESISTOR,C,D,E 47kΩ,1/16W
R8509		NRSA63J-473X	MG RESISTOR,C,D,E 47kΩ,1/16W
R8510		NRSA63J-104X	MG RESISTOR,C,D,E 100kΩ,1/16W
R8512		NRSA63J-471X	MG RESISTOR 470Ω,1/16W
C8502		NBE20JM-106X	T CAPACITOR 10μF,6.3V
L8501		NQR0129-002X	FERRITE BEAD,C,D,E
△ BT8501		QAB0038-001	LI BATTERY
CN601		QGF0517F1-20X	FPC CONNECTOR
CN602		QGF0520F1-13X	FFC/FPC CONNECTOR
CN603		QGF0505F1-11X	FPC CONNECTOR,C,D,E

STROBE BOARD ASSEMBLY(C,D,E)			
PW		YB10249D-01	STROBE BOARD ASSY
IC6502		TC7SET08FU	IC(DIGITAL)
Q6501		2SB1462J/RS/-X	TRANSISTOR
Q6502		UN9211J	TRANSISTOR
		or DTC114EE	TRANSISTOR
△ Q6503		2SB1124/ST/-X	TRANSISTOR
Q6504		2SD1628/FG/-X	TRANSISTOR
Q6506		CT25ASJ-8-X	POW TRANSISTOR
D6501		F1F16	DIODE
D6502		DA121	DIODE
D6503		F1SN4	DIODE
D6504		CRG02	DIODE
R6501		NRSA63J-3R9X	MG RESISTOR 3.9Ω,1/16W
R6502		NRSA63J-4R7X	MG RESISTOR 4.7Ω,1/16W
R6504		NRSA6AJ-471W	MG RESISTOR 470Ω,1/16W
R6505		NRSA6AJ-222W	MG RESISTOR 2.2kΩ,1/16W
R6506		NRSA6AJ-152W	MG RESISTOR 1.5kΩ,1/16W
R6507		NRSA02J-106X	MG RESISTOR 10MΩ,1/10W
R6508		NRVA63D-184X	CMF RESISTOR 180kΩ,1/16W
R6514		NRSA02J-105X	MG RESISTOR 1MΩ,1/10W

#	△ REF No.	PART No.	PART NAME, DESCRIPTION
R6515		NRS181J-220X	MG RESISTOR 22Ω,1/8W
R6516		NRSA02J-104X	MG RESISTOR 100kΩ,1/10W
R6519		NRSA02J-106X	MG RESISTOR 10MΩ,1/10W
R6520		NRSA6AJ-330W	MG RESISTOR 33Ω,1/16W
R6527		NRSA6AJ-391W	MG RESISTOR 390Ω,1/16W
C6501		NBE41AM-336X	T CAPACITOR 33μF,10V
C6502		NBE41AM-226X	T CAPACITOR 22μF,10V
C6503		NCBA1CK-103W	CAPACITOR 0.01μF,16V
C6506		NCZ1008-333X	CAPACITOR 0.033μF,250V
C6507		NCZ1019-273X	CAPACITOR 0.027μF,250V
C6508		NCBA1CK-103W	CAPACITOR 0.01μF,16V
C6509		NCZ1024-103X	CAPACITOR 0.01μF,250V
L6501		NQS0042-001X	SW TRANSF
L6502		NQL302N-100X	COIL 10μH
L6503		NQL044K-470X	COIL 47μH
HD1		LY41512-001A	HOLDER(STR)ASSY
WR1		WJT0047-001A	E-CARD WIRE,CN6501-MAIN CN109
J6501		QUB490-02A2A2	WIRE,STROBE ASSY
J6502		QUB499-02A2A2	WIRE,STROBE ASSY
CN6501		QGF0513F1-12X	FPC CONNECTOR
OT1		LY30029-0F8B	SPACER(A)
OT2		QEZO450-326	E CAPACITOR 32μF,10V
OT3		LY30018-037A	SPECIAL SCREW
△ OT4		LY43101-001A	SHEET(ST.PWB)
OT5		LY41409-002A	SPACER(STROBE)
OT6		LY30029-0G7A	SPACER(A)
OT7		LY30029-0H2A	SPACER(A)
UN1		LY32221-001A	STROBE ASSY

AUDIO BOARD ASSEMBLY <08>

PW2		YB10320C2-02	AUDIO BOARD ASSY,C,D,E
		YB10320B2-02	AUDIO BOARD ASSY,A,B
IC2101		AK4550VT	IC
IC2151		AK4550VT	IC,C,D,E
IC2201		LA74202W	IC
IC2301		BA4510FV	IC,C,D,E
IC2751		TC74HC4052AFT	IC,C,D,E
IC2752		TC7S66FU	IC(DIGITAL),C,D,E
Q2151		UMX18N	PAIR TRANSISTOR,C,D,E
Q2302		2SC4617/QR/-X	TRANSISTOR,C,D,E
Q2401		2SC4617/QR/-X	TRANSISTOR
Q2402		2SA1774/QR/-X	TRANSISTOR
Q2403		DTC144EE	TRANSISTOR
Q2601		2SC4617/QR/-X	TRANSISTOR
Q2602		2SC4617/QR/-X	TRANSISTOR
Q2701		UMX1N	PAIR TRANSISTOR
		or PUMX1	PAIR TRANSISTOR
Q2751		2SA1774/QR/-X	TRANSISTOR,C,D,E
Q2752		DTA144EE	TRANSISTOR,C,D,E
		or PDA144EE	TRANSISTOR,C,D,E
		or UN9113J	TRANSISTOR,C,D,E
		or RN2104	TRANSISTOR,C,D,E
Q2753		DTC144EE	TRANSISTOR,C,D,E
		or PDTC144EE	TRANSISTOR,C,D,E
		or UN9213J	TRANSISTOR,C,D,E
		or RN1104	TRANSISTOR,C,D,E

#	△ REF No.	PART No.	PART NAME, DESCRIPTION
Q2754		DTC144EE	TRANSISTOR,C,D,E
		or PDTC144EE	TRANSISTOR,C,D,E
		or UN9213J	TRANSISTOR,C,D,E
		or RN1104	TRANSISTOR,C,D,E
Q2755		2SC4617/QR/-X	TRANSISTOR,C,D,E
Q2756		UMC4N	TRANSISTOR,C,D,E
Q2758		UMX18N	PAIR TRANSISTOR,C,D,E
		or PUMX1	PAIR TRANSISTOR,C,D,E
Q2759		2SC4617/QR/-X	TRANSISTOR,C,D,E
D2701		DAN222	DIODE
D2751		DA221	DIODE,C,D,E
D2752		DA221	DIODE,C,D,E
D2753		DA221	DIODE,C,D,E
D2754		DA221	DIODE,C,D,E
R2001		NRVA6AD-103W	CMF RESISTOR 10kΩ,1/16W
R2002		NRVA6AD-152W	CMF RESISTOR 1.5kΩ,1/16W
R2003		NRVA6AD-182W	CMF RESISTOR 1.8kΩ,1/16W
R2004		NRVA6AD-272W	CMF RESISTOR 2.7kΩ,1/16W
R2101		NRSA6AJ-471W	MG RESISTOR 470Ω,1/16W
R2102		NRSA6AJ-471W	MG RESISTOR 470Ω,1/16W
R2103		NRSA6AJ-0R0W	MG RESISTOR 0Ω,1/16W
R2151		NRSA6AJ-471W	MG RESISTOR,C,D,E 470Ω,1/16W
R2152		NRSA6AJ-471W	MG RESISTOR,C,D,E 470Ω,1/16W
R2153		NRSA6AJ-0R0W	MG RESISTOR,C,D,E 0Ω,1/16W
R2154		NRSA6AJ-0R0W	MG RESISTOR,C,D,E 0Ω,1/16W
R2157		NRSA6AJ-0R0W	MG RESISTOR,C,D,E 0Ω,1/16W
R2158		NRSA6AJ-332W	MG RESISTOR,C,D,E 3.3kΩ,1/16W
R2159		NRSA6AJ-564W	MG RESISTOR,C,D,E 560kΩ,1/16W
R2160		NRSA6AJ-564W	MG RESISTOR,C,D,E 560kΩ,1/16W
R2161		NRSA6AJ-103W	MG RESISTOR,C,D,E 10kΩ,1/16W
R2162		NRSA6AJ-103W	MG RESISTOR,C,D,E 10kΩ,1/16W
R2206		NRSA6AJ-472W	MG RESISTOR 4.7kΩ,1/16W
R2207		NRSA6AJ-0R0W	MG RESISTOR 0Ω,1/16W
R2209		NRSA6AJ-2R7W	MG RESISTOR 2.7Ω,1/16W
R2210		NRSA6AJ-2R7W	MG RESISTOR 2.7Ω,1/16W
R2211		NRSA6AJ-0R0W	MG RESISTOR 0Ω,1/16W
R2212		NRSA6AJ-472W	MG RESISTOR 4.7kΩ,1/16W
R2213		NRSA6AJ-823W	MG RESISTOR 82kΩ,1/16W
R2214		NRSA6AJ-392W	MG RESISTOR 3.9kΩ,1/16W
R2215		NRSA6AJ-0R0W	MG RESISTOR 0Ω,1/16W
R2218		NRSA6AJ-103W	MG RESISTOR 10kΩ,1/16W
R2219		NRSA6AJ-102W	MG RESISTOR 1kΩ,1/16W
R2220		NRSA6AJ-102W	MG RESISTOR 1kΩ,1/16W
R2221		NRSA6AJ-0R0W	MG RESISTOR 0Ω,1/16W
R2301		NRSA6AJ-560W	MG RESISTOR,C,D,E 56Ω,1/16W
R2302		NRSA6AJ-560W	MG RESISTOR,C,D,E 56Ω,1/16W
R2303		NRSA6AJ-0R0W	MG RESISTOR,C,D,E 0Ω,1/16W
R2305		NRSA6AJ-183W	MG RESISTOR,C,D,E 18kΩ,1/16W
R2306		NRSA6AJ-183W	MG RESISTOR,C,D,E 18kΩ,1/16W
R2307		NRSA6AJ-183W	MG RESISTOR,C,D,E 18kΩ,1/16W
R2308		NRSA6AJ-183W	MG RESISTOR,C,D,E 18kΩ,1/16W
R2309		NRSA6AJ-184W	MG RESISTOR,C,D,E 180kΩ,1/16W
R2310		NRSA6AJ-184W	MG RESISTOR,C,D,E 180kΩ,1/16W
R2311		NRSA6AJ-473W	MG RESISTOR,C,D,E 47kΩ,1/16W
R2312		NRSA6AJ-473W	MG RESISTOR,C,D,E 47kΩ,1/16W
R2313		NRSA6AJ-473W	MG RESISTOR,C,D,E 47kΩ,1/16W
R2314		NRSA6AJ-473W	MG RESISTOR,C,D,E 47kΩ,1/16W
R2315		NRSA63J-0R0X	MG RESISTOR,C,D,E 0Ω,1/16W
R2316		NRSA63J-0R0X	MG RESISTOR,C,D,E 0Ω,1/16W
R2319		NRSA6AJ-0R0W	MG RESISTOR,C,D,E 0Ω,1/16W
R2320		NRSA6AJ-0R0W	MG RESISTOR,C,D,E 0Ω,1/16W
R2325		NRSA6AJ-104W	MG RESISTOR,C,D,E 100kΩ,1/16W
R2326		NRSA6AJ-104W	MG RESISTOR,C,D,E 100kΩ,1/16W

#	△ REF No.	PART No.	PART NAME, DESCRIPTION	#	△ REF No.	PART No.	PART NAME, DESCRIPTION	
R2327		NRSA6AJ-102W	MG RESISTOR,C,D,E	1kΩ,1/16W	C2104	NCBA1HK-222W	CAPACITOR	0.0022μF,50V
R2328		NRSA6AJ-103W	MG RESISTOR,C,D,E	10kΩ,1/16W	C2105	NBE20JM-475X	T CAPACITOR	4.7μF,6.3V
R2402		NRSA6AJ-473W	MG RESISTOR	47kΩ,1/16W	C2106	NCB31CK-104X	CAPACITOR	0.1μF,16V
R2403		NRSA6AJ-332W	MG RESISTOR	3.3kΩ,1/16W	C2107	NCB31CK-104X	CAPACITOR	0.1μF,16V
R2404		NRSA6AJ-822W	MG RESISTOR	8.2kΩ,1/16W	C2108	NBE20JM-106X	T CAPACITOR	10μF,6.3V
R2406		NRSA6AJ-473W	MG RESISTOR	47kΩ,1/16W	C2151	NCB30JK-105X	CAPACITOR,C,D,E	1μF,6.3V
R2409		NRSA63J-0R0X	MG RESISTOR	0Ω,1/16W	C2152	NCB30JK-105X	CAPACITOR,C,D,E	1μF,6.3V
R2413		NRSA63J-0R0X	MG RESISTOR	0Ω,1/16W	C2153	NCBA1HK-222W	CAPACITOR,C,D,E	0.0022μF,50V
R2414		NRSA6AJ-560W	MG RESISTOR	56Ω,1/16W	C2154	NCBA1HK-222W	CAPACITOR,C,D,E	0.0022μF,50V
R2415		NRSA6AJ-560W	MG RESISTOR	56Ω,1/16W	C2155	NBE20JM-475X	T CAPACITOR,C,D,E	4.7μF,6.3V
R2601		NRSA6AJ-222W	MG RESISTOR	2.2kΩ,1/16W	C2156	NCB31CK-104X	CAPACITOR,C,D,E	0.1μF,16V
R2602		NRSA6AJ-222W	MG RESISTOR	2.2kΩ,1/16W	C2157	NCB31CK-104X	CAPACITOR,C,D,E	0.1μF,16V
R2603		NRSA6AJ-472W	MG RESISTOR	4.7kΩ,1/16W	C2163	NCB30JK-105X	CAPACITOR,C,D,E	1μF,6.3V
R2604		NRSA6AJ-472W	MG RESISTOR	4.7kΩ,1/16W	C2164	NCB30JK-105X	CAPACITOR,C,D,E	1μF,6.3V
R2605		NRSA6AJ-682W	MG RESISTOR	6.8kΩ,1/16W	C2201	NCB20JK-225X	CAPACITOR	2.2μF,6.3V
R2606		NRSA6AJ-682W	MG RESISTOR	6.8kΩ,1/16W	C2202	NCB20JK-225X	CAPACITOR	2.2μF,6.3V
R2609		NRSA6AJ-472W	MG RESISTOR	4.7kΩ,1/16W	C2203	NCB21CK-474X	CAPACITOR,C,D,E	0.47μF,16V
R2610		NRSA6AJ-472W	MG RESISTOR	4.7kΩ,1/16W	C2204	NCB21CK-474X	CAPACITOR,C,D,E	0.47μF,16V
R2611		NRSA6AJ-472W	MG RESISTOR	4.7kΩ,1/16W	C2205	NCBA1AK-104W	CAPACITOR	0.1μF,10V
R2612		NRSA6AJ-472W	MG RESISTOR	4.7kΩ,1/16W	C2206	NCBA1AK-104W	CAPACITOR	0.1μF,10V
R2613		NRSA6AJ-332W	MG RESISTOR	3.3kΩ,1/16W	C2207	NBE20JM-106X	T CAPACITOR	10μF,6.3V
R2614		NRSA6AJ-332W	MG RESISTOR	3.3kΩ,1/16W	C2208	NBE20JM-106X	T CAPACITOR	10μF,6.3V
R2615		NRSA6AJ-123W	MG RESISTOR	12kΩ,1/16W	C2210	NBE20JM-475X	T CAPACITOR	4.7μF,6.3V
R2616		NRSA6AJ-123W	MG RESISTOR	12kΩ,1/16W	C2211	NBE20JM-106X	T CAPACITOR	10μF,6.3V
R2617		NRSA6AJ-333W	MG RESISTOR	33kΩ,1/16W	C2212	NCBA1AK-104W	CAPACITOR	0.1μF,10V
R2618		NRSA6AJ-333W	MG RESISTOR	33kΩ,1/16W	C2213	NBE40JM-476X	T CAPACITOR	47μF,6.3V
R2619		NRSA6AJ-153W	MG RESISTOR	15kΩ,1/16W	C2214	NBE20JM-106X	T CAPACITOR	10μF,6.3V
R2620		NRSA6AJ-153W	MG RESISTOR	15kΩ,1/16W	C2215	NCB31CK-104X	CAPACITOR	0.1μF,16V
R2621		NRSA6AJ-153W	MG RESISTOR	15kΩ,1/16W	C2216	NCB31CK-104X	CAPACITOR	0.1μF,16V
R2622		NRSA6AJ-153W	MG RESISTOR	15kΩ,1/16W	C2217	NCBA1CK-103W	CAPACITOR	0.01μF,16V
R2623		NRSA6AJ-0R0W	MG RESISTOR,C,D,E	0Ω,1/16W	C2219	NCB21CK-105X	CAPACITOR	1μF,16V
R2624		NRSA6AJ-0R0W	MG RESISTOR,C,D,E	0Ω,1/16W	C2220	NRSA63J-0R0X	MG RESISTOR	0Ω,1/16W
R2701		NRSA6AJ-564W	MG RESISTOR	560kΩ,1/16W	C2221	NCB30JK-105X	CAPACITOR	1μF,6.3V
R2702		NRSA6AJ-564W	MG RESISTOR	560kΩ,1/16W	C2222	NCB30JK-105X	CAPACITOR	1μF,6.3V
R2703		NRSA6AJ-821W	MG RESISTOR	820Ω,1/16W	C2223	NCBA1AK-104W	CAPACITOR	0.1μF,10V
R2704		NRSA6AJ-821W	MG RESISTOR	820Ω,1/16W	C2224	NCBA1AK-104W	CAPACITOR	0.1μF,10V
R2705		NRSA6AJ-0R0W	MG RESISTOR,A,B	0Ω,1/16W	C2301	NBE20JM-106X	T CAPACITOR,C,D,E	10μF,6.3V
R2706		NRSA6AJ-0R0W	MG RESISTOR,A,B	0Ω,1/16W	C2303	NCB30JK-105X	CAPACITOR,C,D,E	1μF,6.3V
R2707		NRSA6AJ-332W	MG RESISTOR	3.3kΩ,1/16W	C2304	NCB30JK-105X	CAPACITOR,C,D,E	1μF,6.3V
R2751		NRSA6AJ-820W	MG RESISTOR,C,D,E	82Ω,1/16W	C2305	NCB30JK-105X	CAPACITOR,C,D,E	1μF,6.3V
R2752		NRSA6AJ-820W	MG RESISTOR,C,D,E	82Ω,1/16W	C2306	NCB30JK-105X	CAPACITOR,C,D,E	1μF,6.3V
R2753		NRSA6AJ-182W	MG RESISTOR,C,D,E	1.8kΩ,1/16W	C2307	NCB30JK-105X	CAPACITOR,C,D,E	1μF,6.3V
R2755		NRSA6AJ-222W	MG RESISTOR,C,D,E	2.2kΩ,1/16W	C2308	NCB30JK-105X	CAPACITOR,C,D,E	1μF,6.3V
R2756		NRSA6AJ-564W	MG RESISTOR,C,D,E	560kΩ,1/16W	C2311	NCB31CK-104X	CAPACITOR,C,D,E	0.1μF,16V
R2757		NRSA6AJ-0R0W	MG RESISTOR,C,D,E	0Ω,1/16W	C2312	NCB30JK-105X	CAPACITOR,C,D,E	1μF,6.3V
R2758		NRSA6AJ-102W	MG RESISTOR,C,D,E	1kΩ,1/16W	C2402	NBE20JM-106X	T CAPACITOR	10μF,6.3V
R2759		NRSA6AJ-103W	MG RESISTOR,C,D,E	10kΩ,1/16W	C2405	NBE41AM-106X	T CAPACITOR	10μF,10V
R2760		NRSA6AJ-104W	MG RESISTOR,C,D,E	100kΩ,1/16W	C2407	NBE40JM-476X	T CAPACITOR	47μF,6.3V
R2761		NRSA6AJ-221W	MG RESISTOR,C,D,E	220Ω,1/16W	C2603	NCB31CK-223X	CAPACITOR	0.022μF,16V
R2762		NRSA6AJ-100W	MG RESISTOR,C,D,E	10Ω,1/16W	C2604	NCB31CK-223X	CAPACITOR	0.022μF,16V
R2763		NRSA6AJ-104W	MG RESISTOR,C,D,E	100kΩ,1/16W	C2605	NCB31CK-104X	CAPACITOR	0.1μF,16V
R2764		NRSA6AJ-221W	MG RESISTOR,C,D,E	220Ω,1/16W	C2606	NCB31CK-104X	CAPACITOR	0.1μF,16V
R2765		NRSA6AJ-0R0W	MG RESISTOR,C,D,E	0Ω,1/16W	C2607	NBE20JM-475X	T CAPACITOR	4.7μF,6.3V
R2767		NRSA6AJ-332W	MG RESISTOR,C,D,E	3.3kΩ,1/16W	C2608	NBE20JM-475X	T CAPACITOR	4.7μF,6.3V
R2768		NRSA6AJ-103W	MG RESISTOR,C,D,E	10kΩ,1/16W	C2609	NCB31CK-273X	CAPACITOR	0.027μF,16V
R2770		NRSA6AJ-103W	MG RESISTOR,C,D,E	10kΩ,1/16W	C2610	NCB31CK-273X	CAPACITOR	0.027μF,16V
R2771		NRSA6AJ-103W	MG RESISTOR,C,D,E	10kΩ,1/16W	C2613	NCB31CK-333X	CAPACITOR	0.033μF,16V
R2772		NRSA6AJ-103W	MG RESISTOR,C,D,E	10kΩ,1/16W	C2614	NCB31CK-333X	CAPACITOR	0.033μF,16V
R2773		NRSA6AJ-822W	MG RESISTOR,C,D,E	8.2kΩ,1/16W	C2615	NCBA1HK-332W	CAPACITOR	0.0033μF,50V
R2774		NRSA6AJ-822W	MG RESISTOR,C,D,E	8.2kΩ,1/16W	C2616	NCBA1HK-332W	CAPACITOR	0.0033μF,50V
C2101		NCB30JK-105X	CAPACITOR	1μF,6.3V	C2619	NCBA1HK-152W	CAPACITOR	0.0015μF,50V
C2102		NCB30JK-105X	CAPACITOR	1μF,6.3V	C2620	NCBA1HK-152W	CAPACITOR	0.0015μF,50V
C2103		NCBA1HK-222W	CAPACITOR	0.0022μF,50V	C2621	NCB31EK-103X	CAPACITOR	0.01μF,25V

#	△ REF No.	PART No.	PART NAME, DESCRIPTION	
C2622		NCB31EK-103X	CAPACITOR	0.01μF,25V
C2623		NCB30JK-105X	CAPACITOR	1μF,6.3V
C2624		NCB30JK-105X	CAPACITOR	1μF,6.3V
C2625		NCB31CK-104X	CAPACITOR	0.1μF,16V
C2626		NCB31CK-104X	CAPACITOR	0.1μF,16V
C2627		NBE20GM-336X	T CAPACITOR	33μF,4.0V
C2751		NBE20JM-106X	T CAPACITOR,C,D,E	10μF,6.3V
C2752		NBE21AM-106X	T CAPACITOR,C,D,E	10μF,10V
C2753		NBE40JM-476X	T CAPACITOR,C,D,E	47μF,6.3V
C2754		NDCA1HJ-101W	CAPACITOR,C,D,E	100pF,50V
C2755		NCB30JK-105X	CAPACITOR,C,D,E	1μF,6.3V
C2757		NCB31CK-473X	CAPACITOR,C,D,E	0.047μF,16V
C2758		NCB31CK-104X	CAPACITOR,C,D,E	0.1μF,16V
L2101		NQL402M-100X	COIL	10μH
L2402		NQL315K-220X	COIL	22μH
L2601		NRSA63J-0R0X	MG RESISTOR	0Ω,1/16W
L2602		NRSA63J-0R0X	MG RESISTOR	0Ω,1/16W
L2603		NRSA63J-0R0X	MG RESISTOR	0Ω,1/16W
S2001		NSW0120-002X	PUSH SWITCH,EJECT SW	
S2002		NSW0105-001X	DETECT SWITCH,DSC SW,C,D,E	
S7001		NSW0120-002X	PUSH SWITCH,VF ON SW	
CN801		QGB0405M1-80X	CONNECTOR	
CN803		QGF0517F1-06X	FPC CONNECTOR	
CN804		QGA1001F1-04X	CONNECTOR	
CN805		QGF0508F1-16X	FPC CONNECTOR	
OT1		LY30029-0E4A	SPACER(A)	
OT2		LY30029-0H6B	SPACER(A)	

#	△ REF No.	PART No.	PART NAME, DESCRIPTION	
---	-----------	----------	------------------------	--

JACK BOARD ASSEMBLY <09>

PW1	YB10323B1	JACK BOARD ASSY,C,D,E	
	YB10323C1	JACK BOARD ASSY,A,B	
D2802	MA8068	ZENER DIODE	
R2802	NRSA63J-0R0X	MG RESISTOR	0Ω,1/16W
R2803	NRSA63J-0R0X	MG RESISTOR	0Ω,1/16W
R2806	NRSA63J-0R0X	MG RESISTOR	0Ω,1/16W
L2801	NQR0251-004X	FERRITE BEAD	
L2802	NQR0251-004X	FERRITE BEAD	
L2803	NQR0251-004X	FERRITE BEAD	
J901	QNS0078-001	3.5 JACK	
J902	QNA0027-001	DC JACK	
CN901	QGF0507F3-18X	FFC/FPC CONNECTOR	

W/B BOARD ASSEMBLY <11>

PW3	YB10320A3	W/B BOARD ASSY	
Q1151	RPM-22PB	PHOTO TRANSISTOR	
R1151	NRSA63J-302X	MG RESISTOR	3kΩ,1/16W
C1151	NBE90JM-106X	T CAPACITOR	10μF,6.3V
C1152	NCB21EK-683X-R	CAPACITOR	0.068μF,25V
L1151	NQR0265-001X	FERRITE BEAD	
WR1	WJM0144-001A	E-SI C WIRE C-F,MAIN CN104	